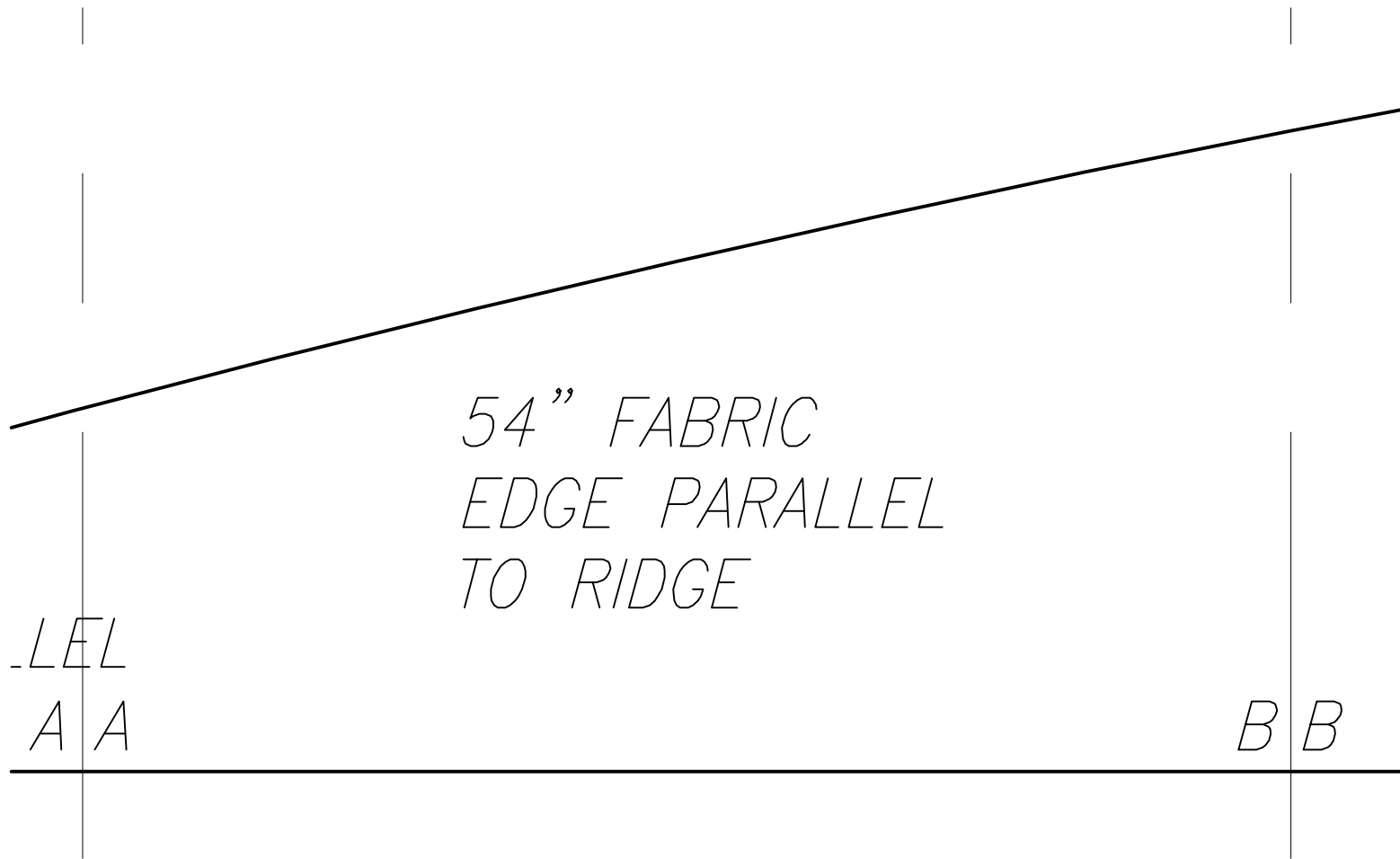


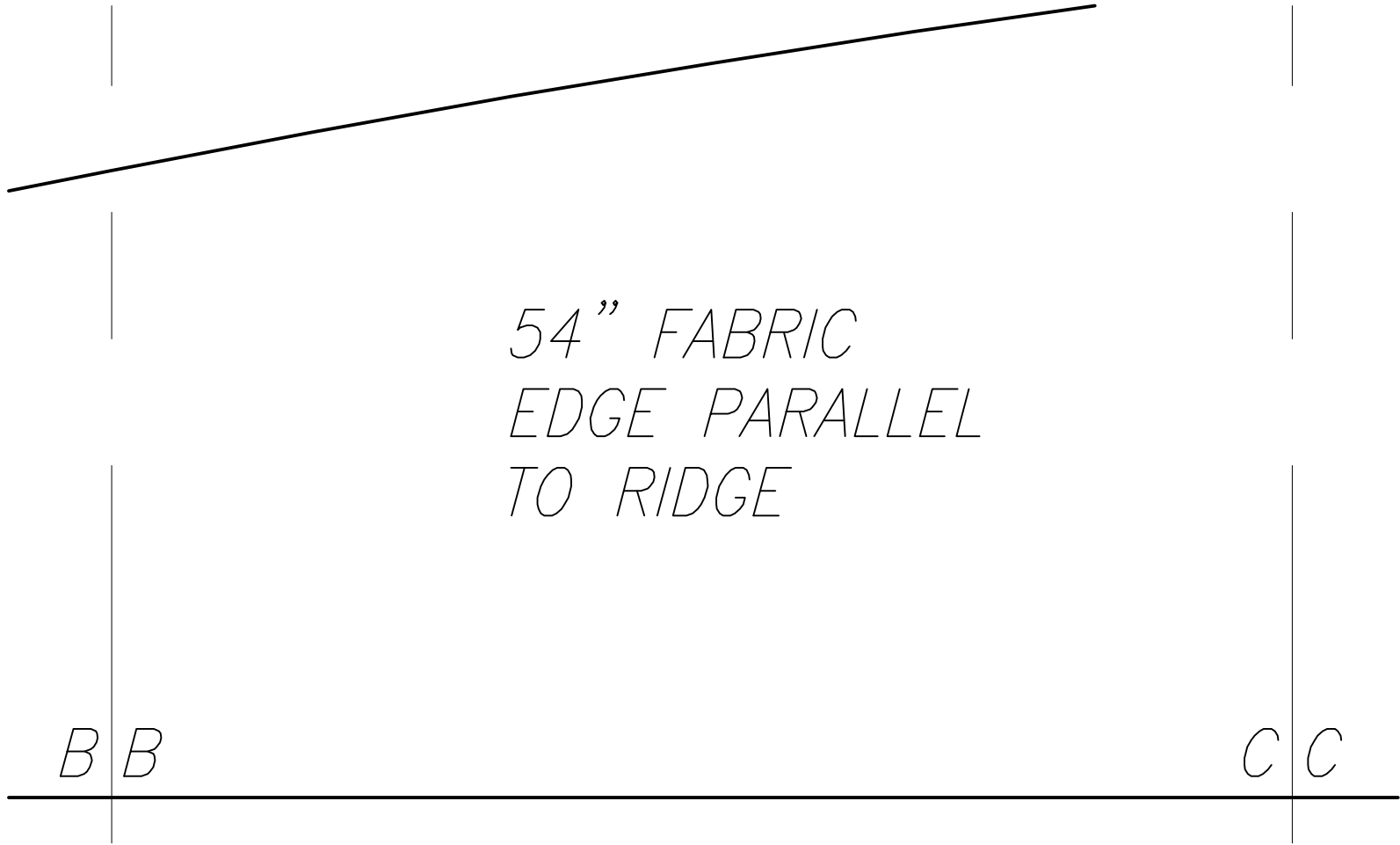
*54" FABRIC
EDGE PARALLEL
TO RIDGE A A*

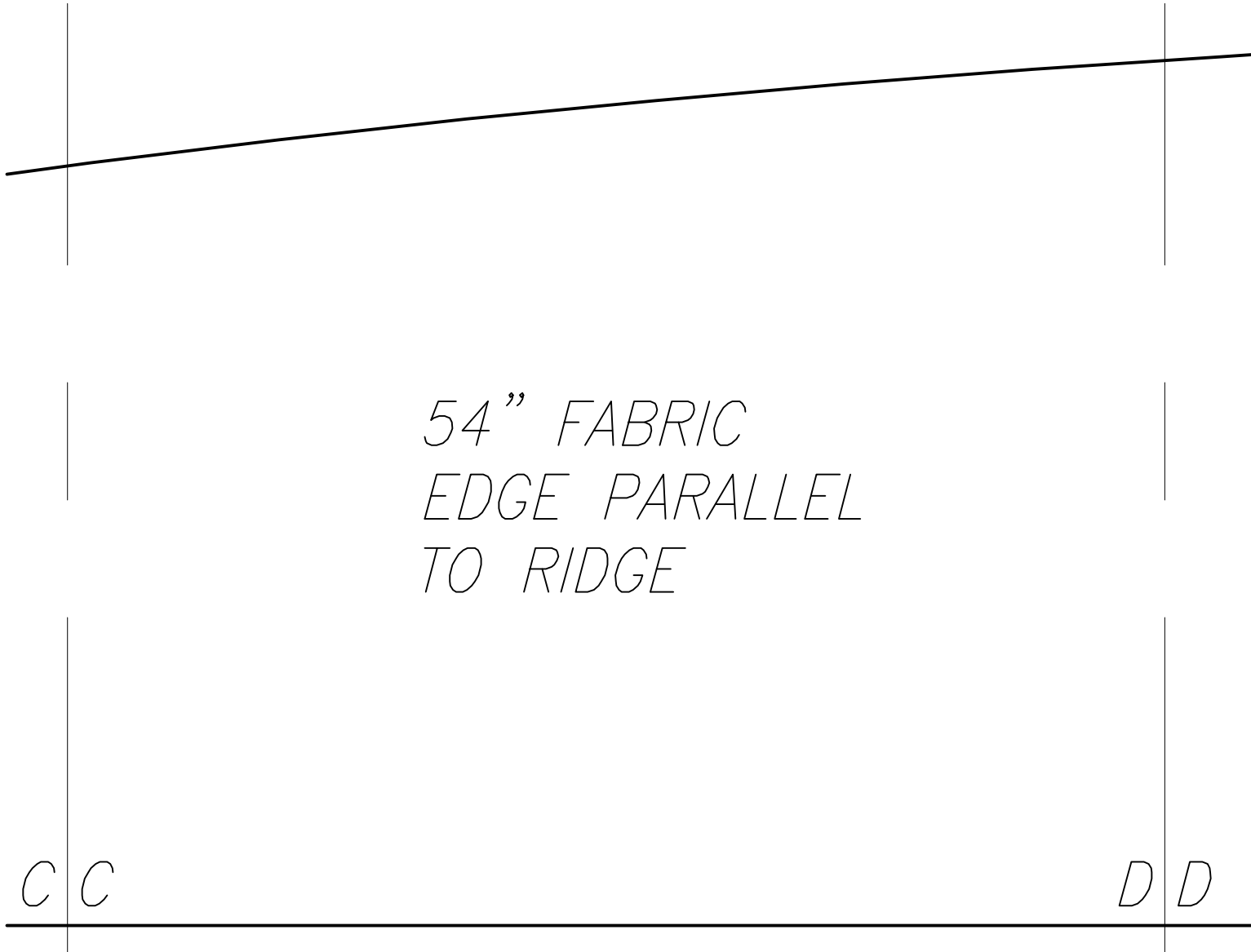


*54" FABRIC
EDGE PARALLEL
TO RIDGE*

*LEL
A A*

B B

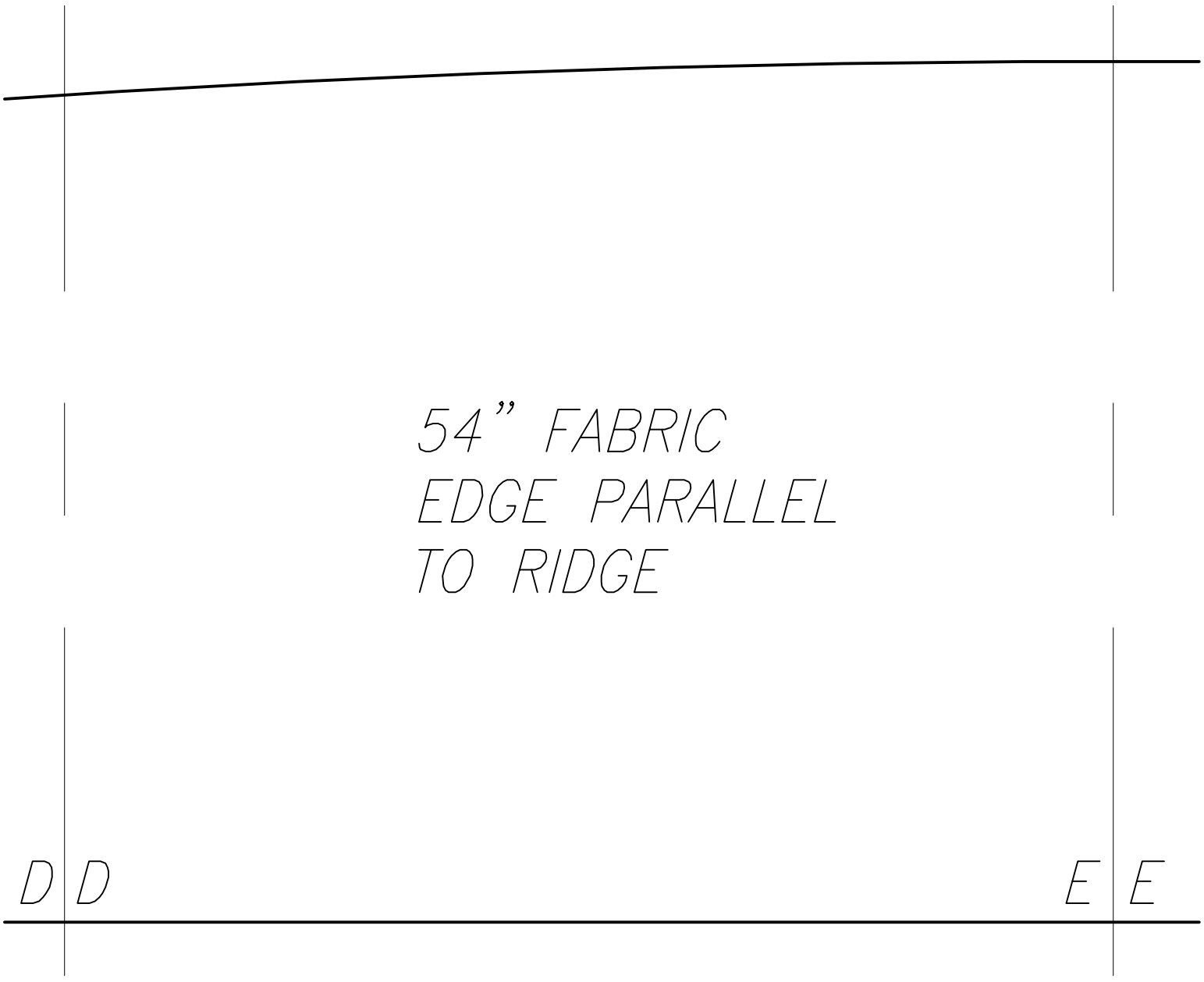




*54" FABRIC
EDGE PARALLEL
TO RIDGE*

C C

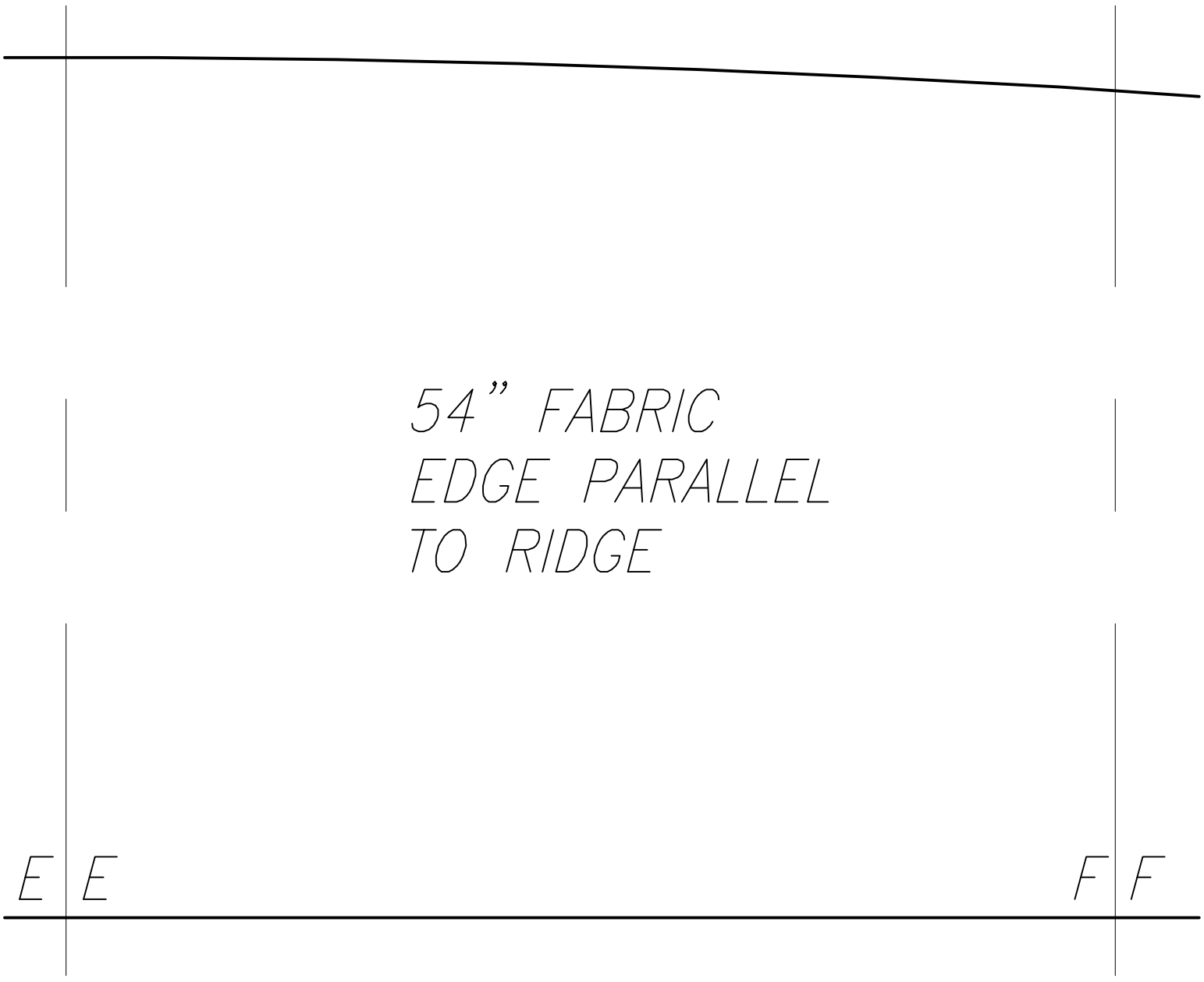
D D



*54" FABRIC
EDGE PARALLEL
TO RIDGE*

D D

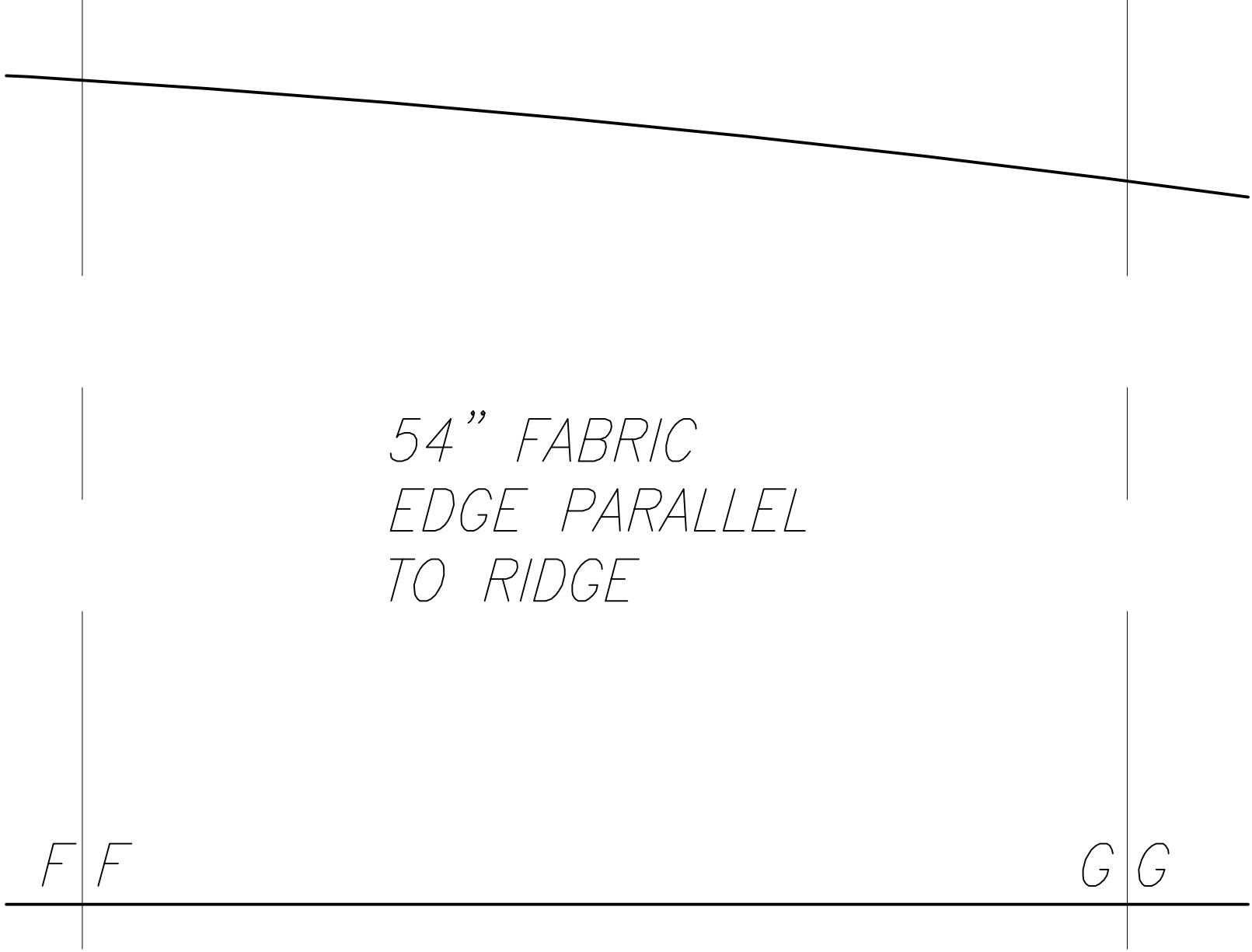
E E



*54" FABRIC
EDGE PARALLEL
TO RIDGE*

E E

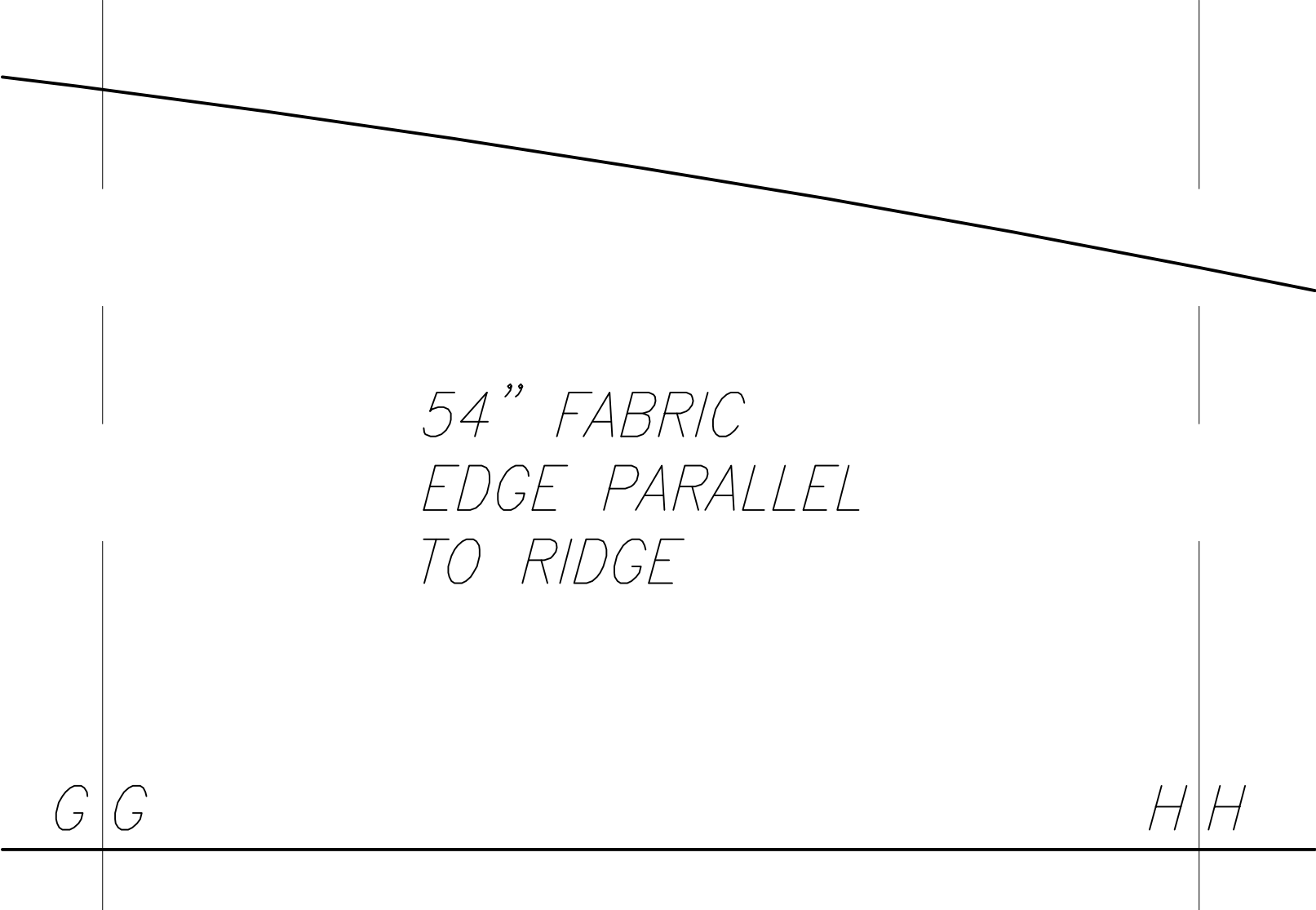
F F

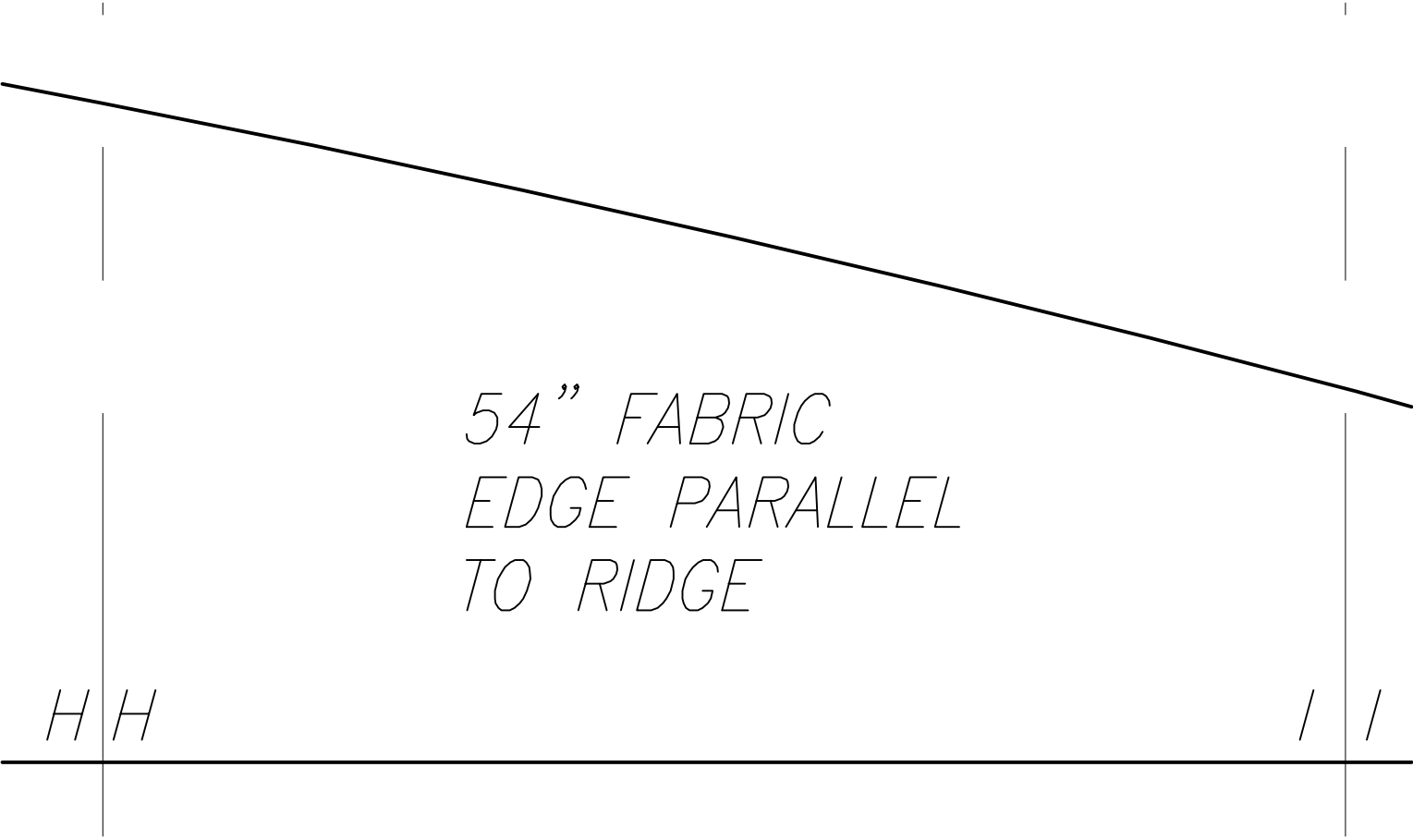


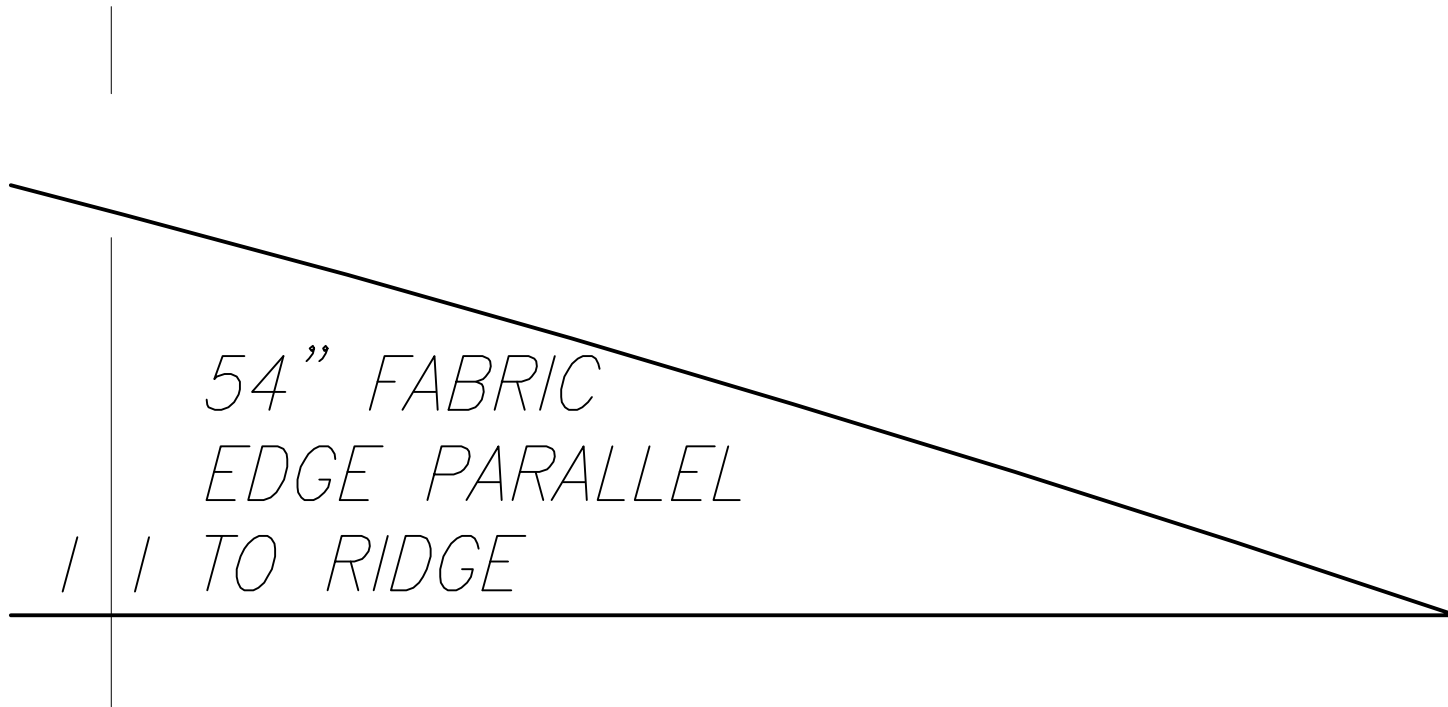
*54" FABRIC
EDGE PARALLEL
TO RIDGE*

F F

G G

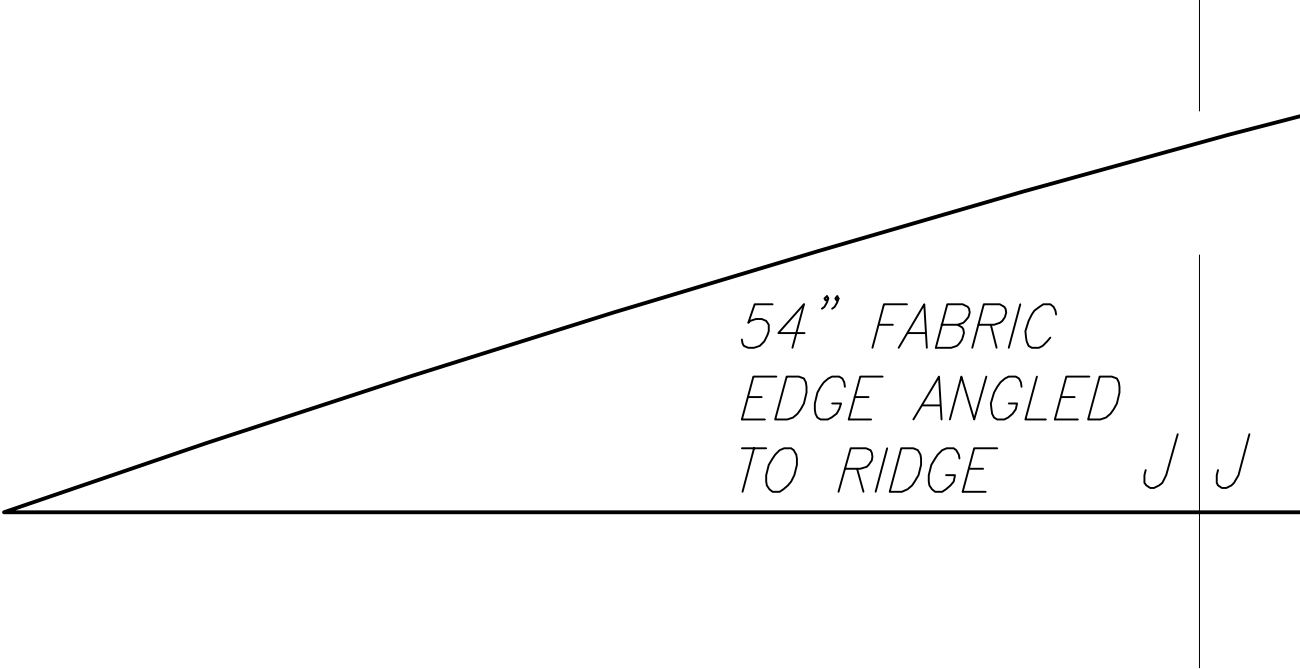






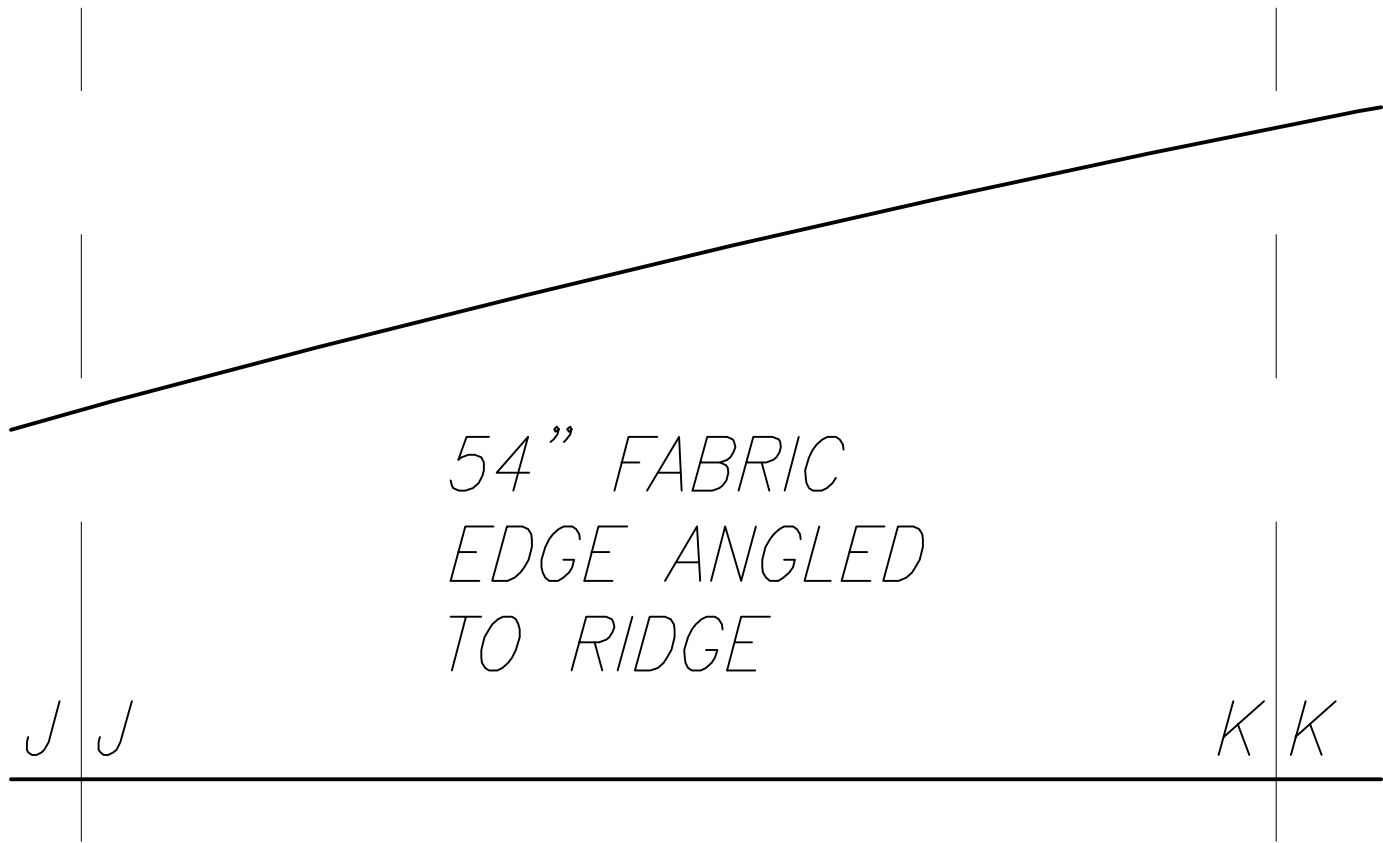
*54" FABRIC
EDGE PARALLEL*

1 1 TO RIDGE



*54" FABRIC
EDGE ANGLED
TO RIDGE*

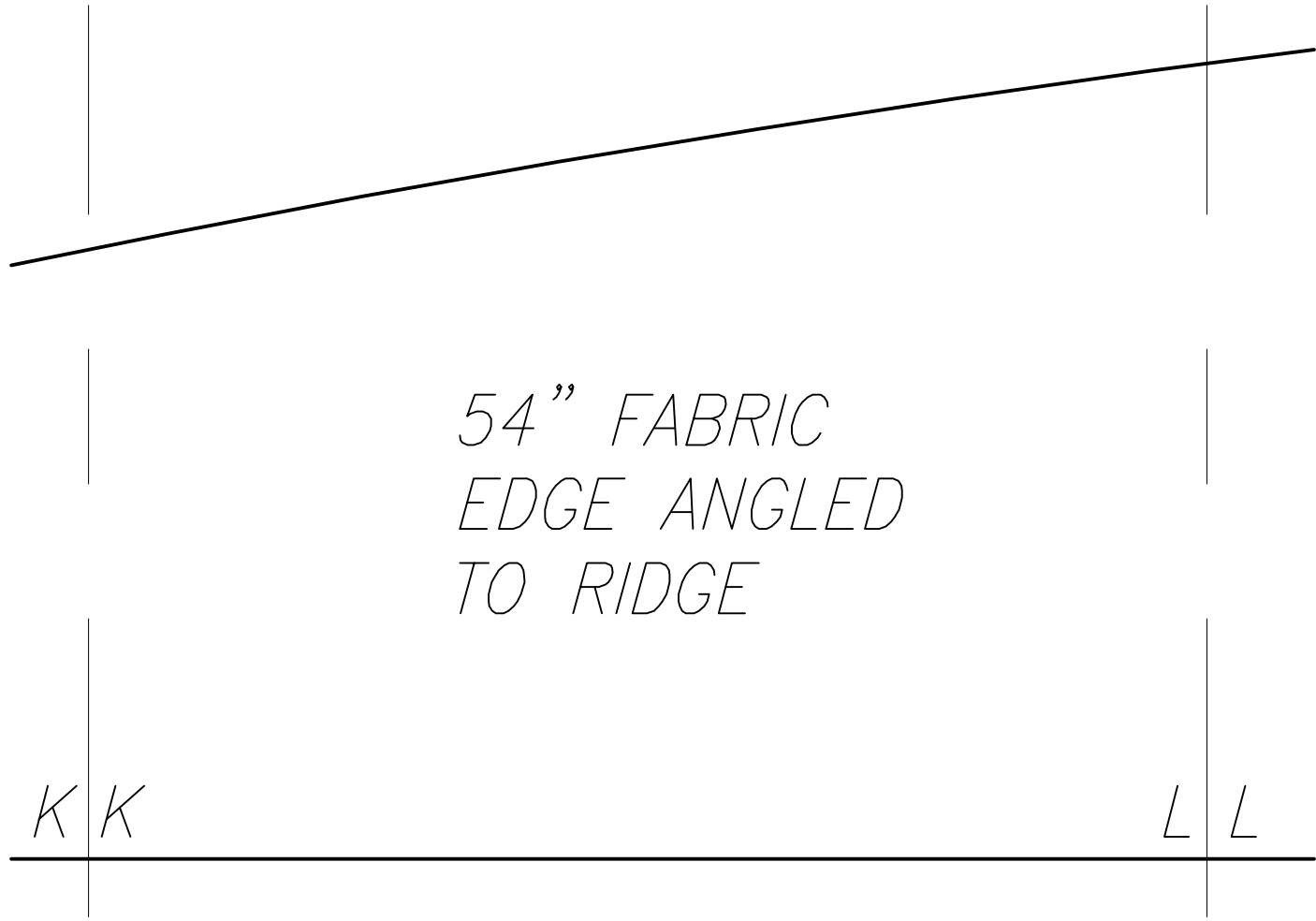
J J



54" FABRIC
EDGE ANGLED
TO RIDGE

J J

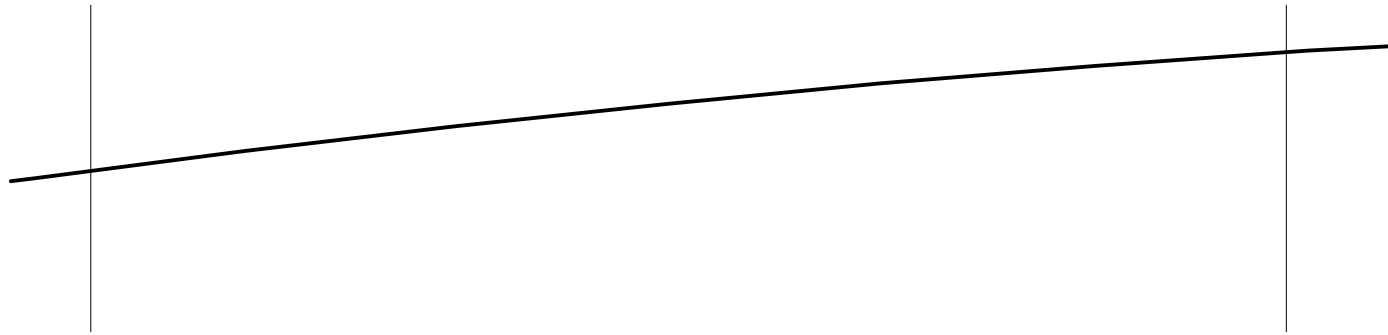
K K



*54" FABRIC
EDGE ANGLED
TO RIDGE*

K K

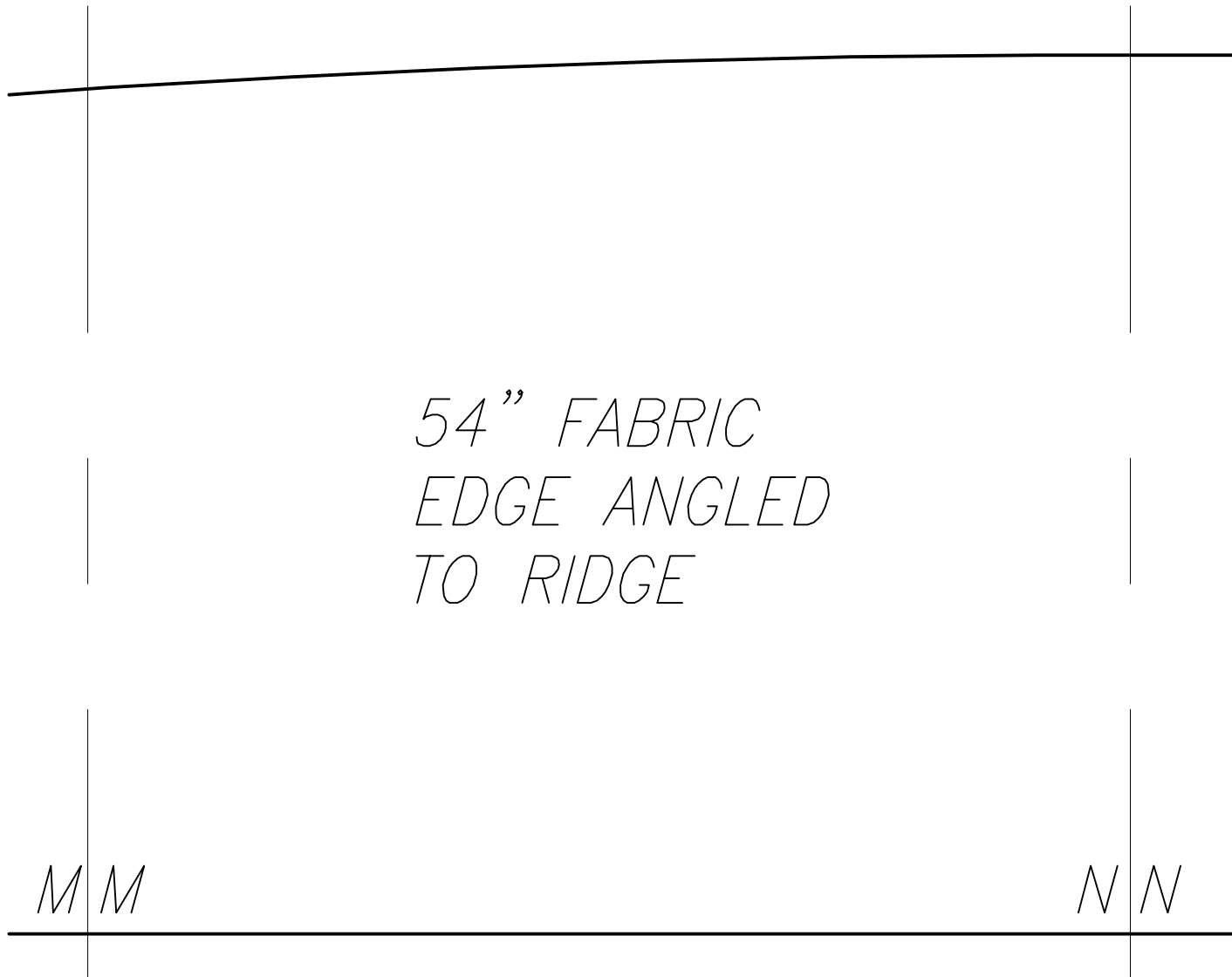
L L



*54" FABRIC
EDGE ANGLED
TO RIDGE*

L L

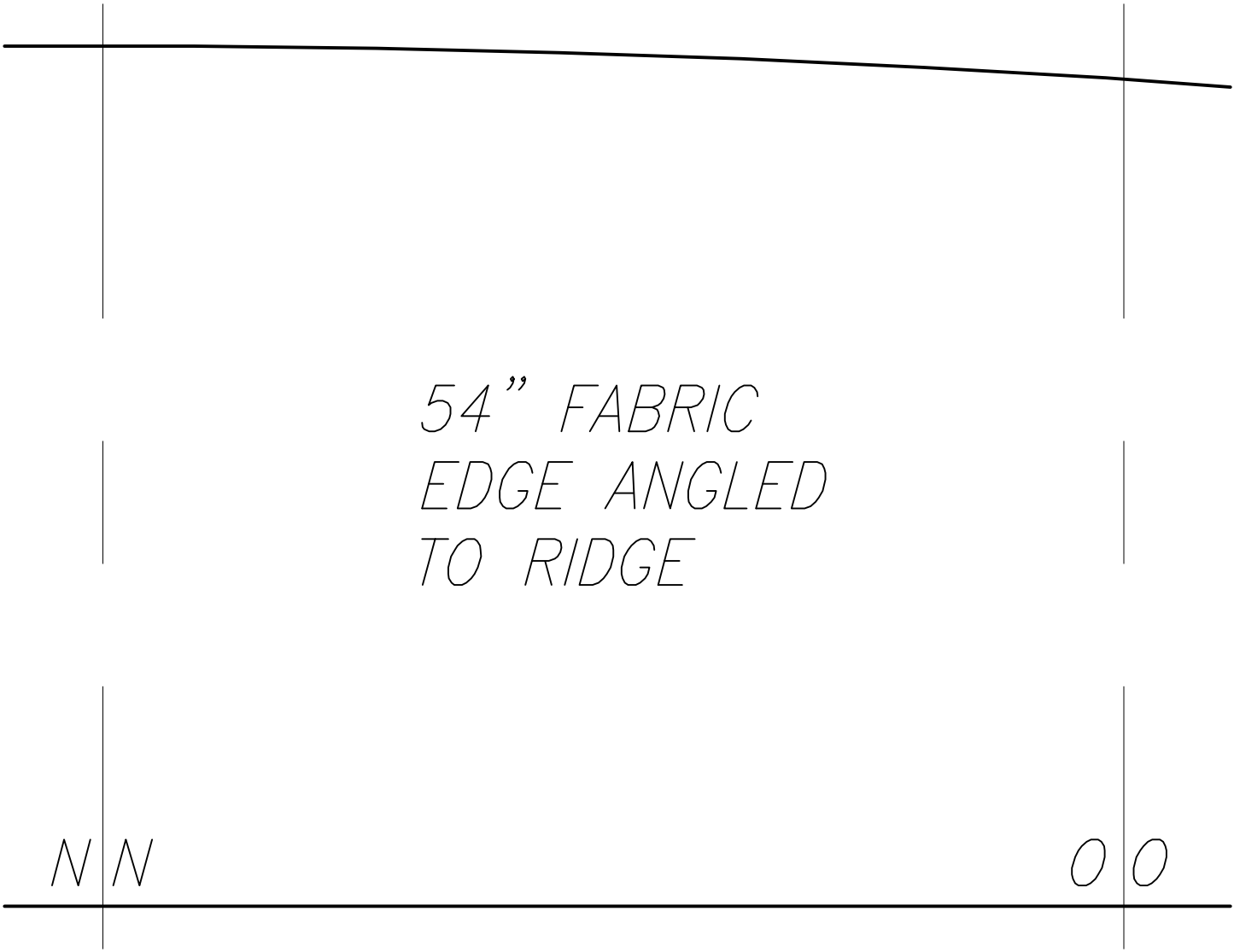
M M

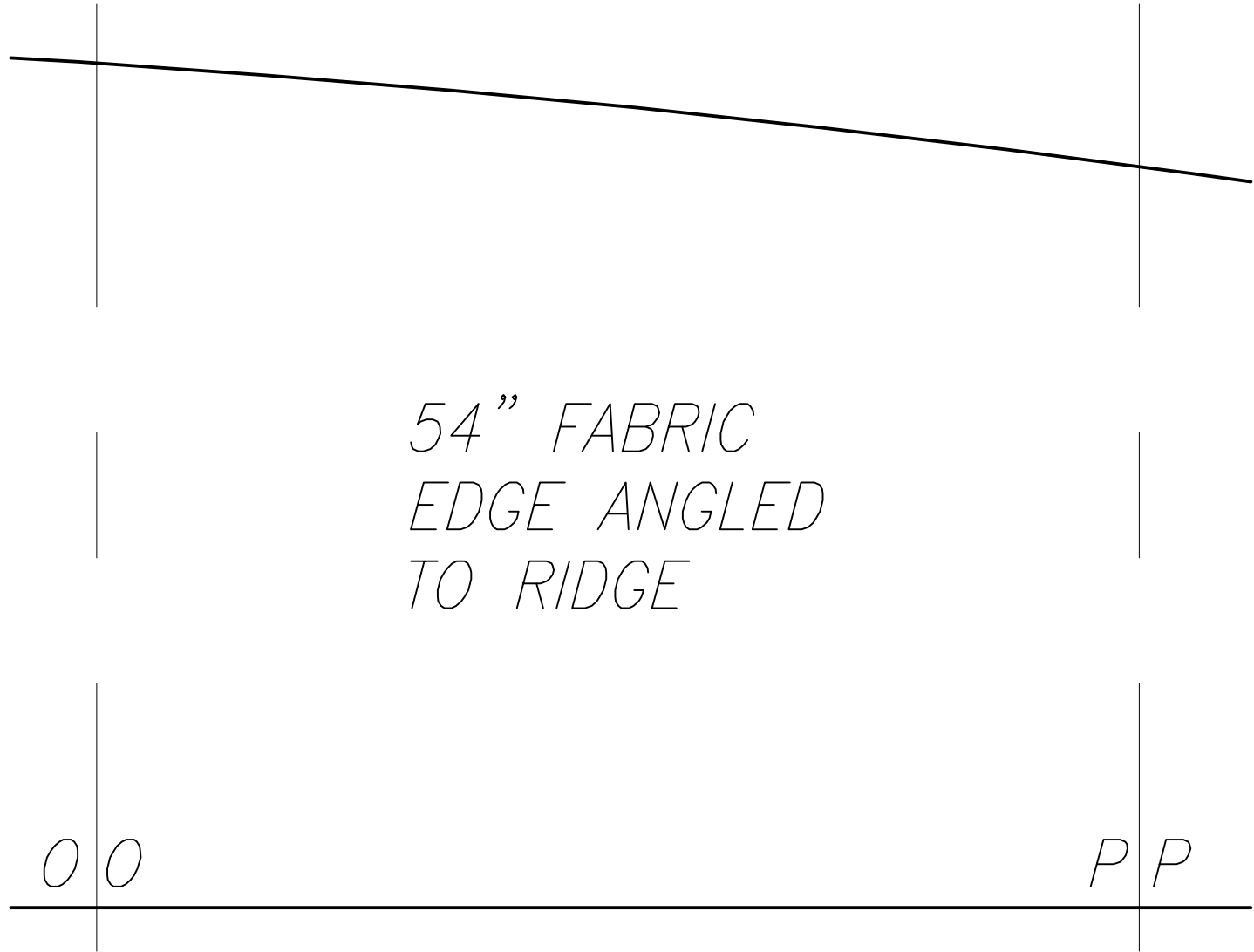


*54" FABRIC
EDGE ANGLED
TO RIDGE*

MM

NN





*54" FABRIC
EDGE ANGLED
TO RIDGE*

OO

PP

