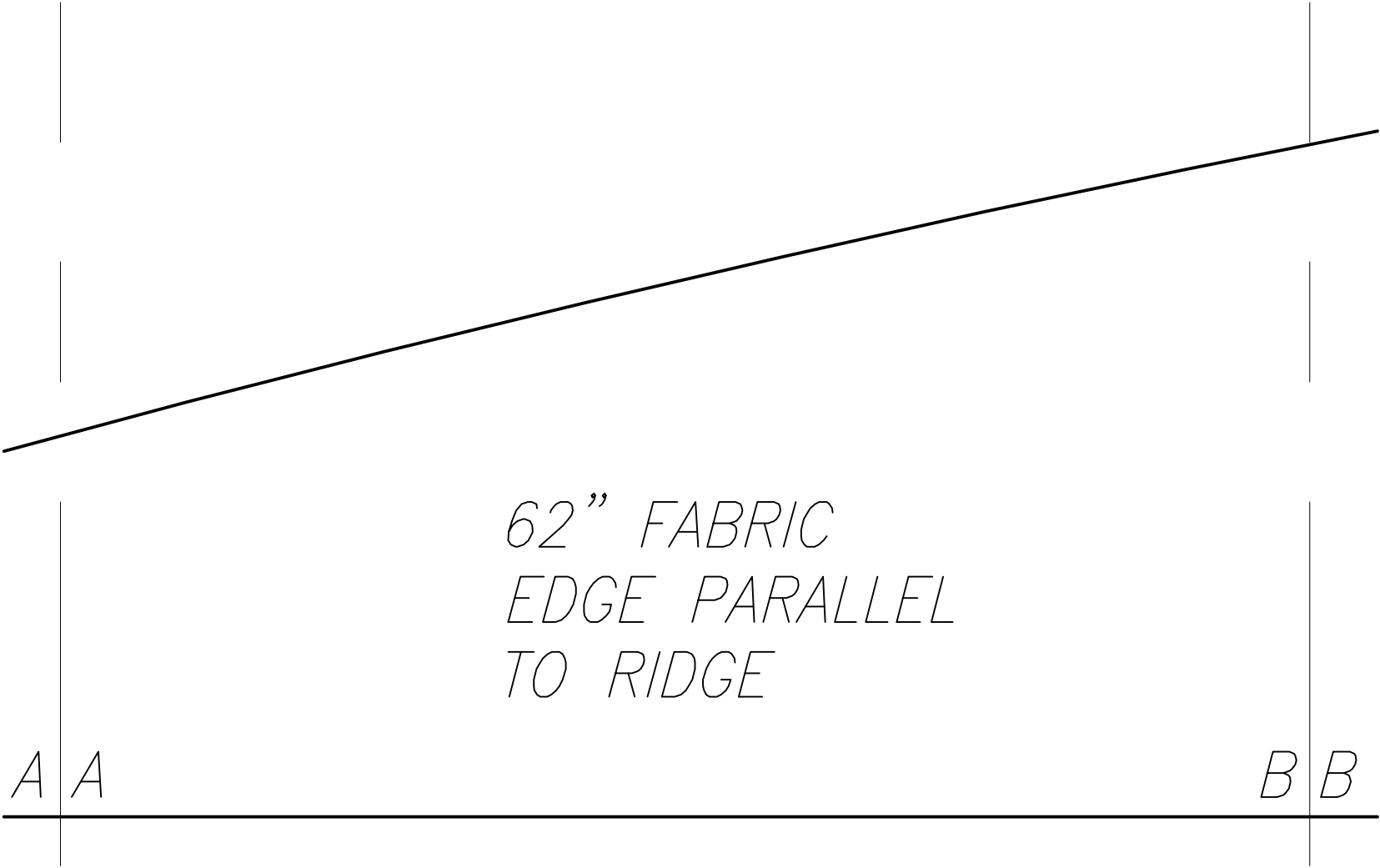


*62" FABRIC
EDGE PARALLEL
TO RIDGE*

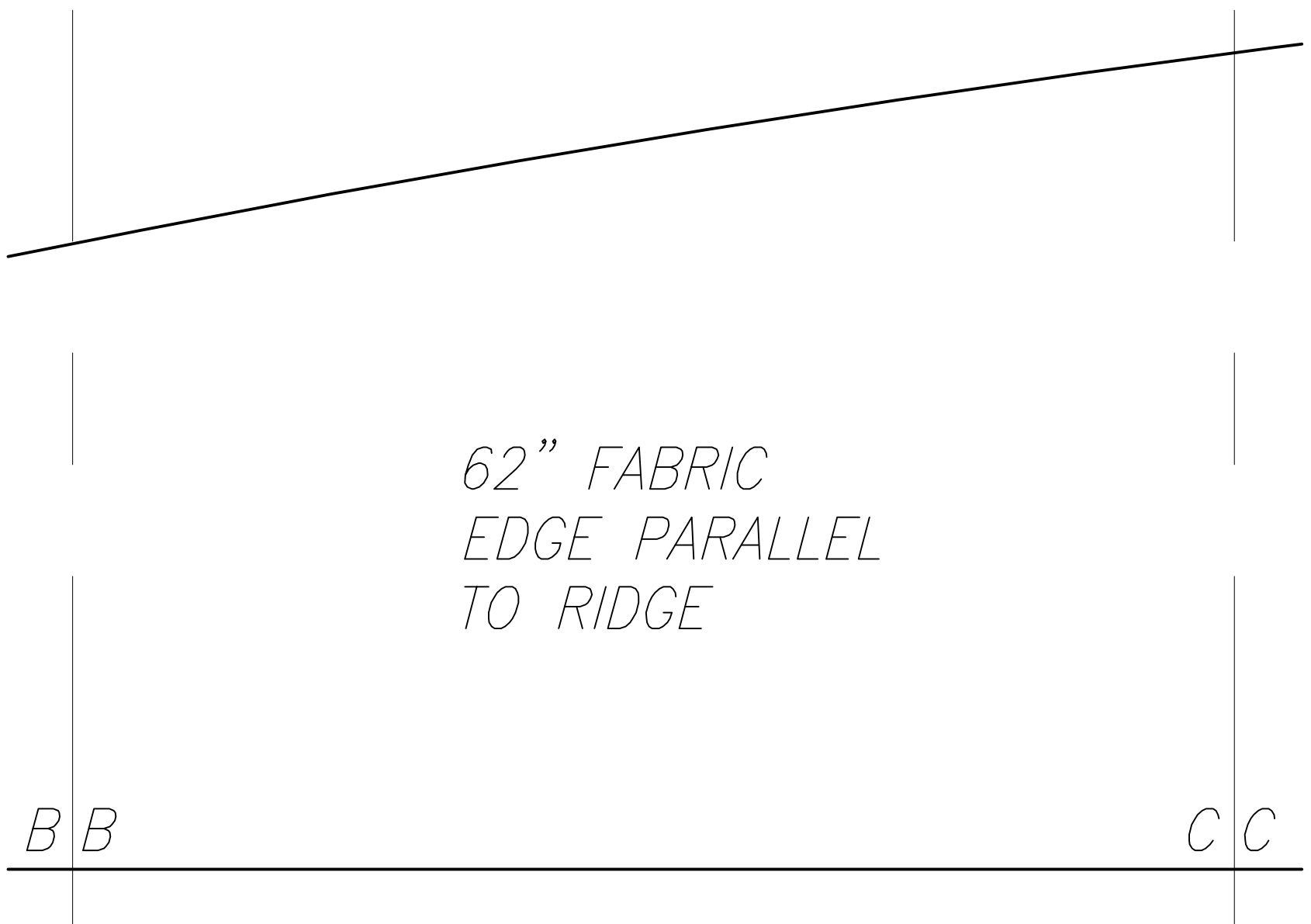
A A



*62" FABRIC
EDGE PARALLEL
TO RIDGE*

A A

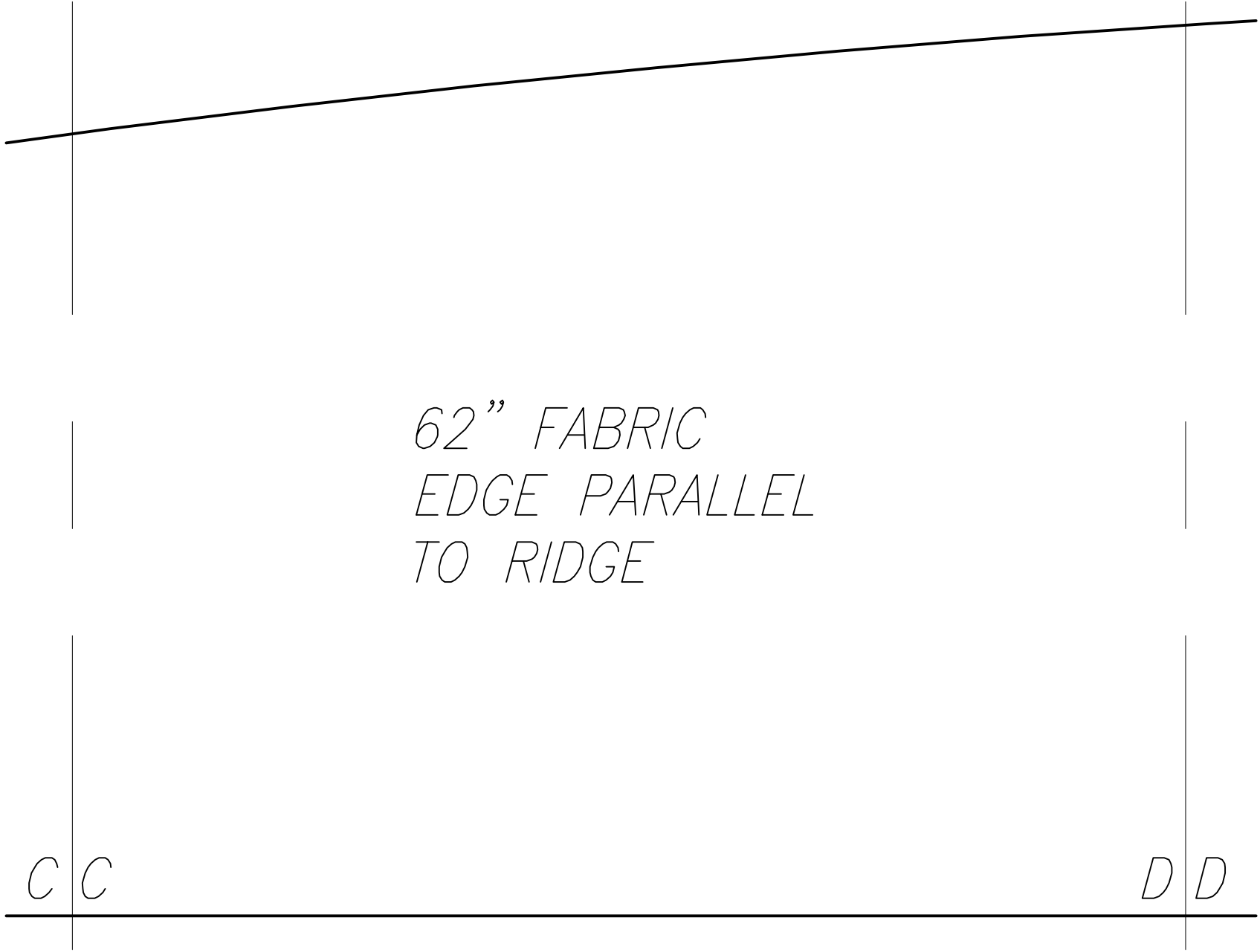
B B



*62" FABRIC
EDGE PARALLEL
TO RIDGE*

B B

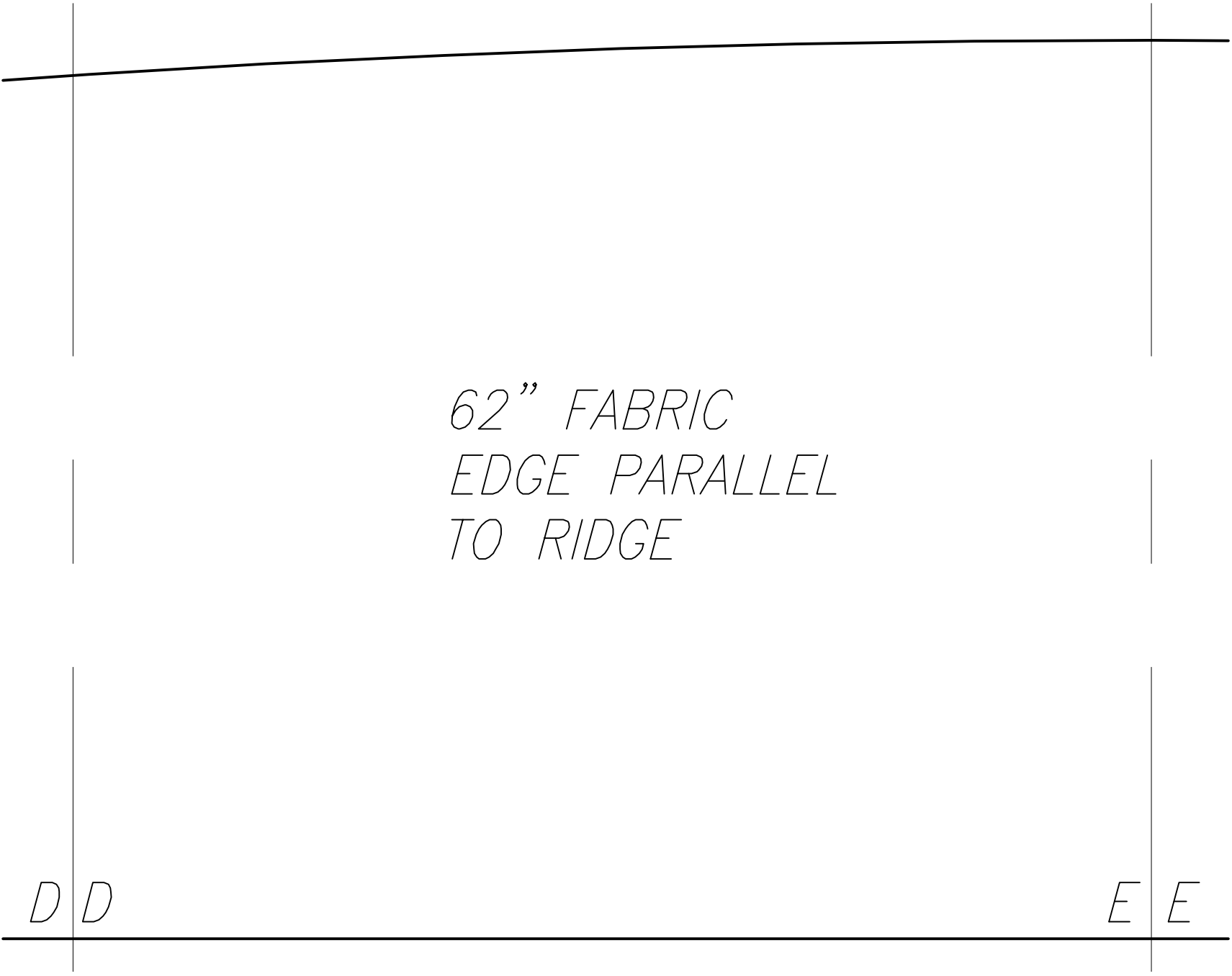
C C



*62" FABRIC
EDGE PARALLEL
TO RIDGE*

C C

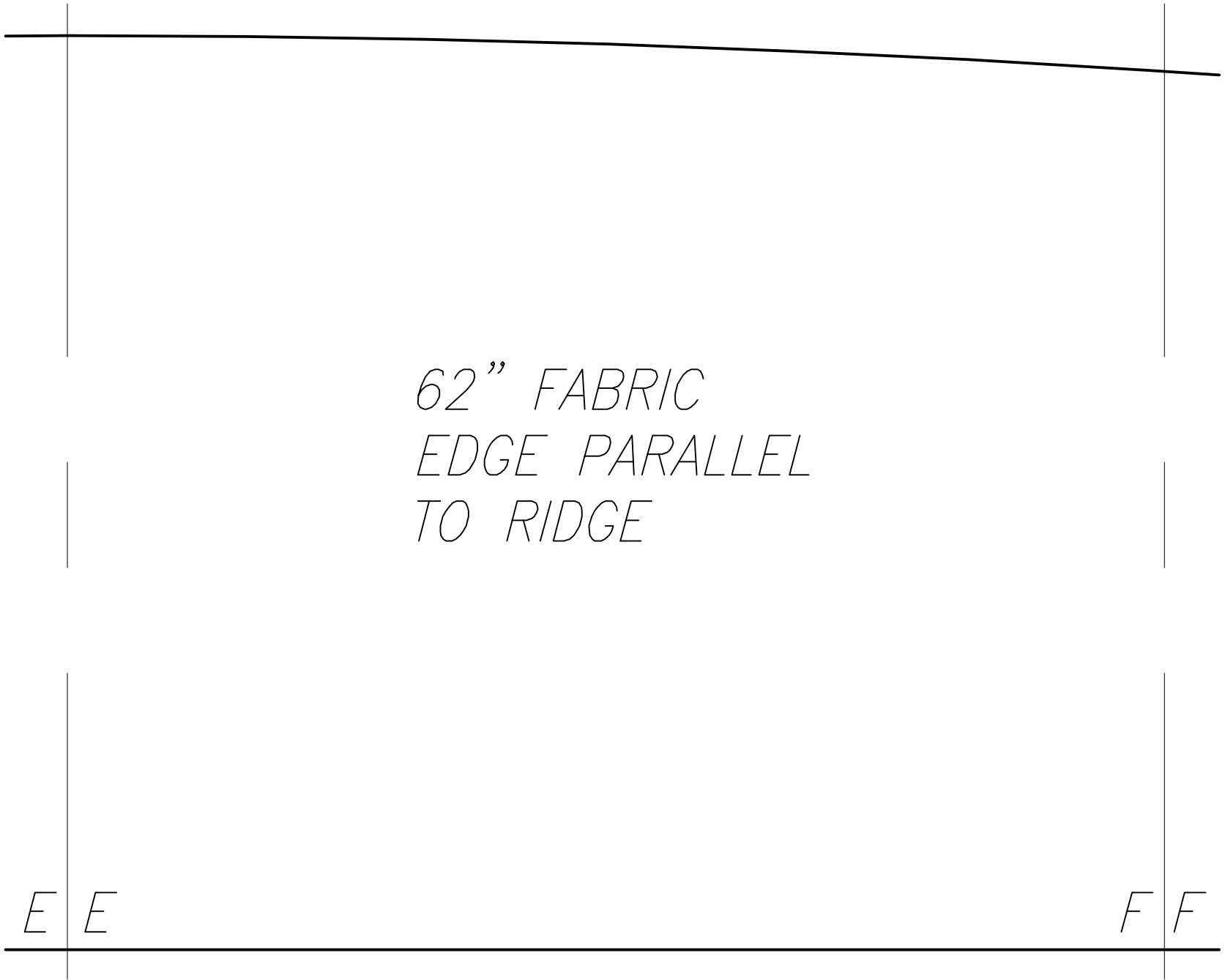
D D



*62" FABRIC
EDGE PARALLEL
TO RIDGE*

D D

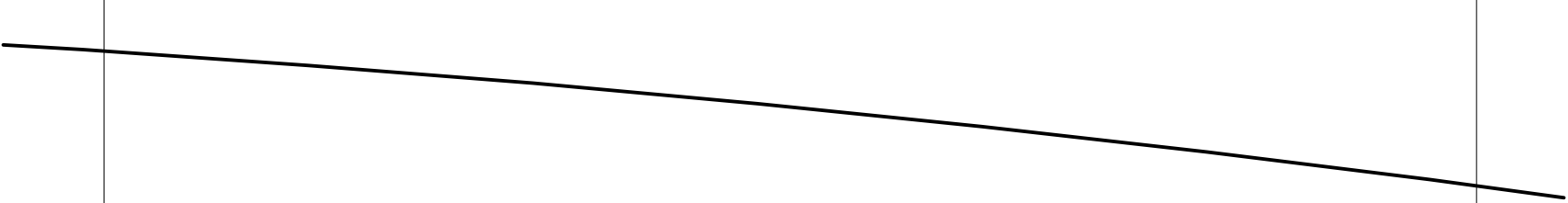
E E



*62" FABRIC
EDGE PARALLEL
TO RIDGE*

E E

F F

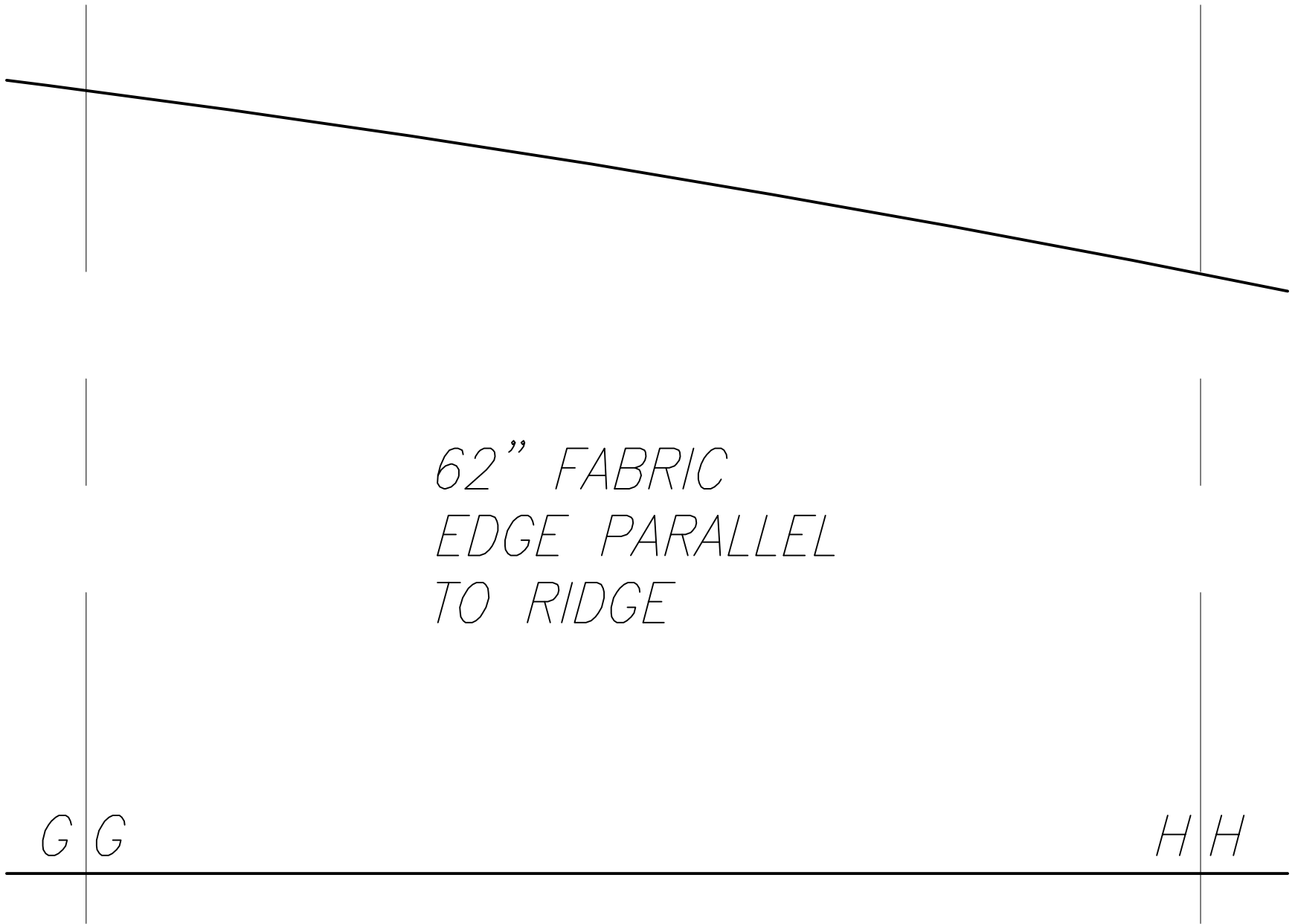


*62" FABRIC
EDGE PARALLEL
TO RIDGE*

F F

G G

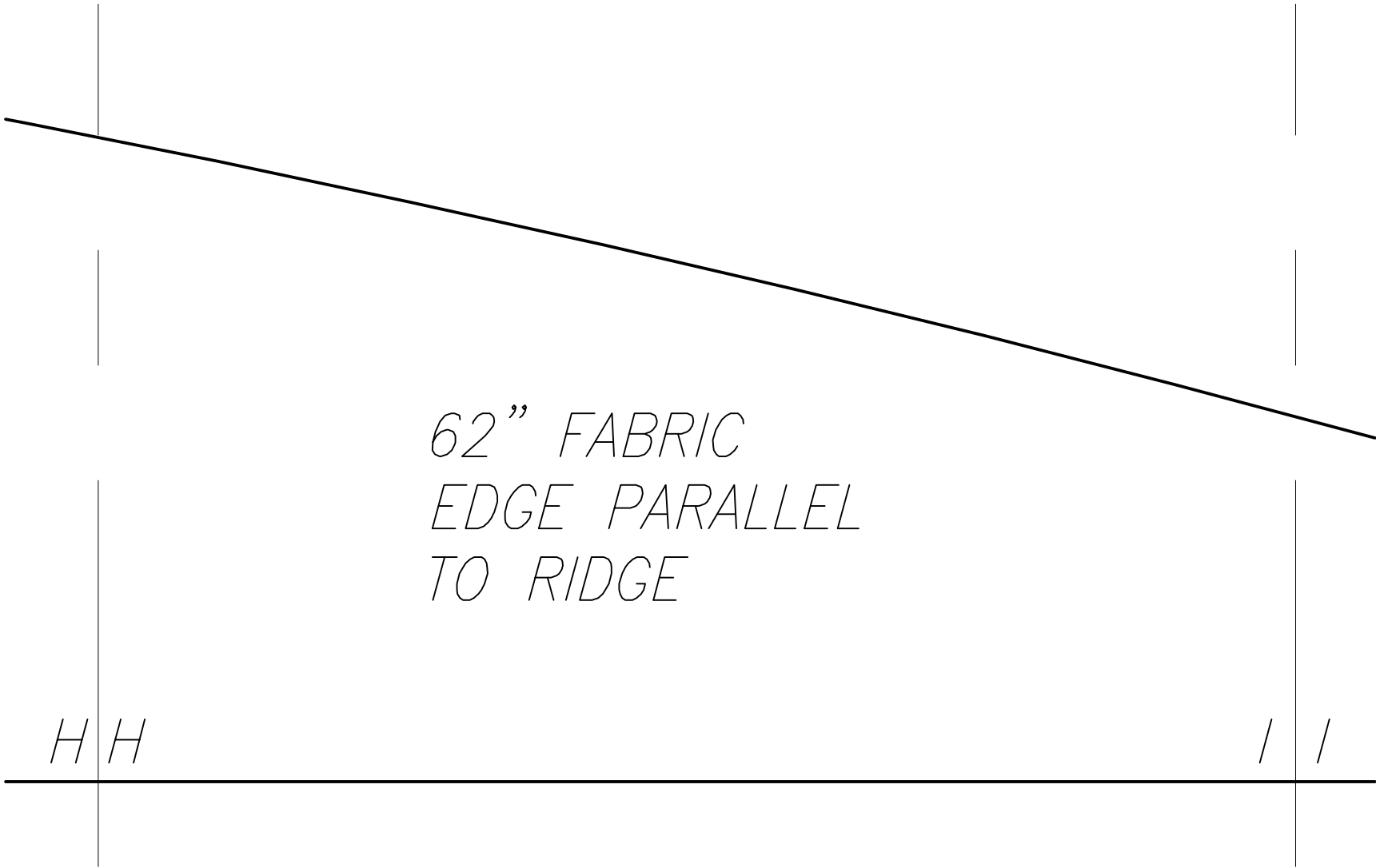


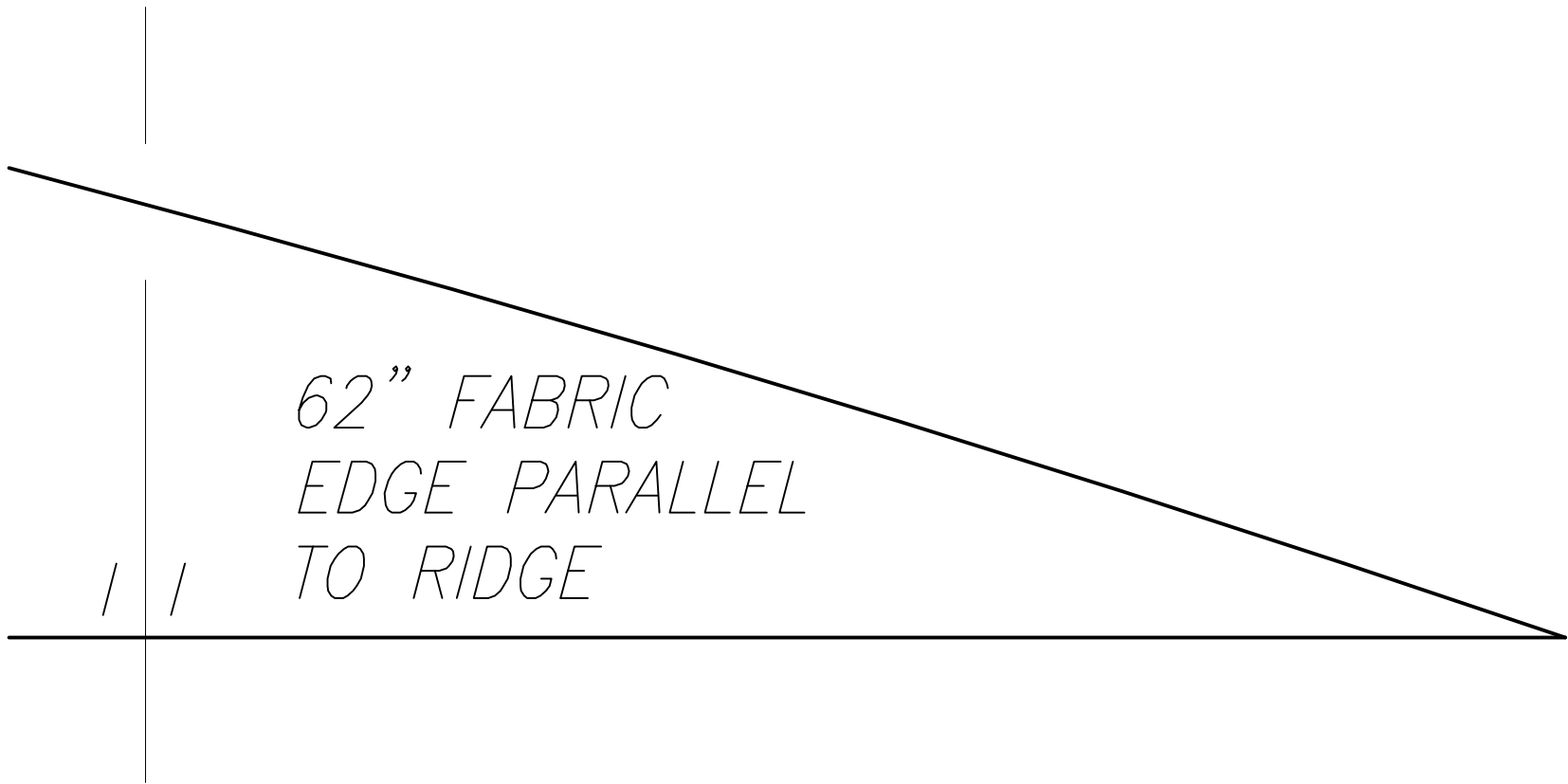


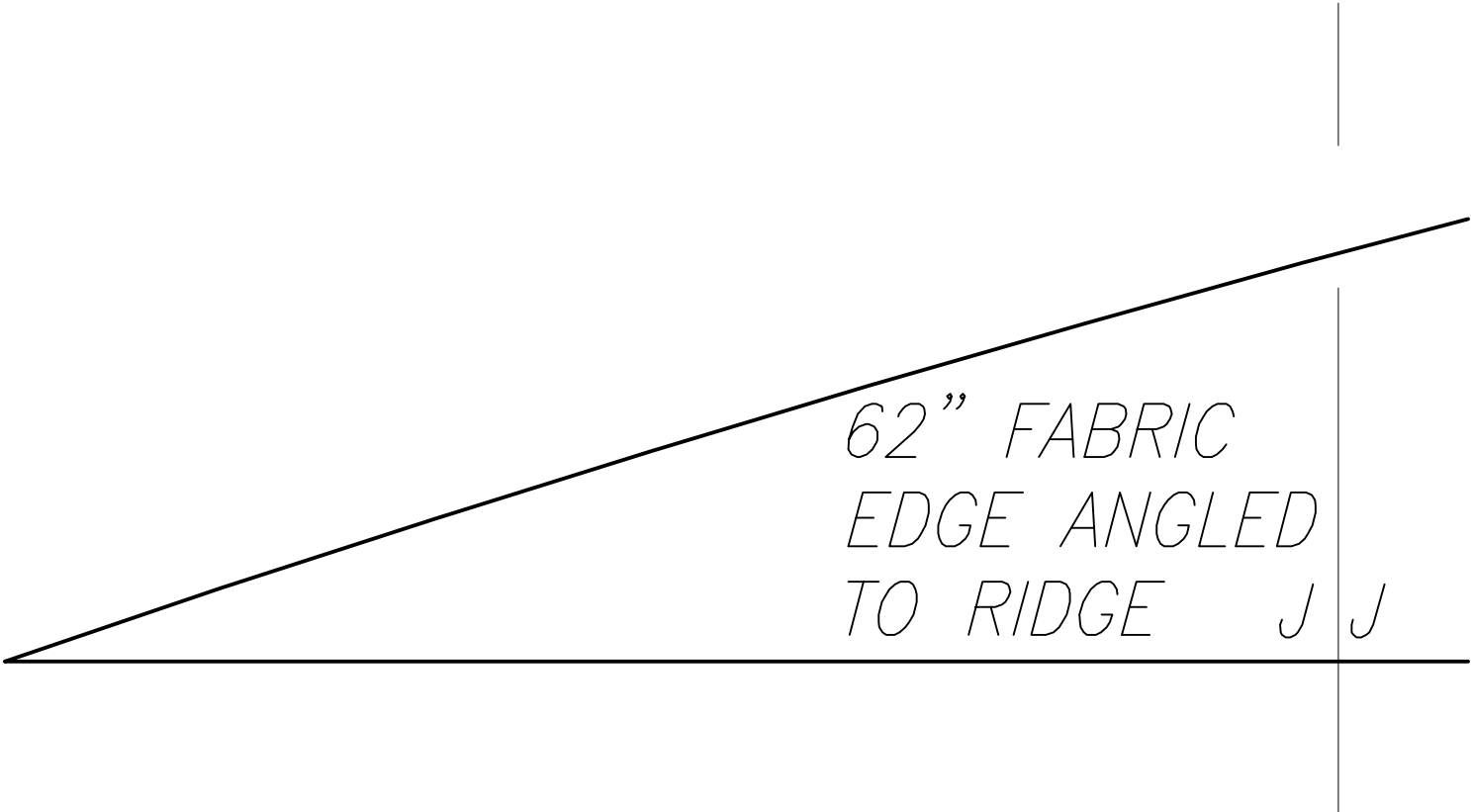
*62" FABRIC
EDGE PARALLEL
TO RIDGE*

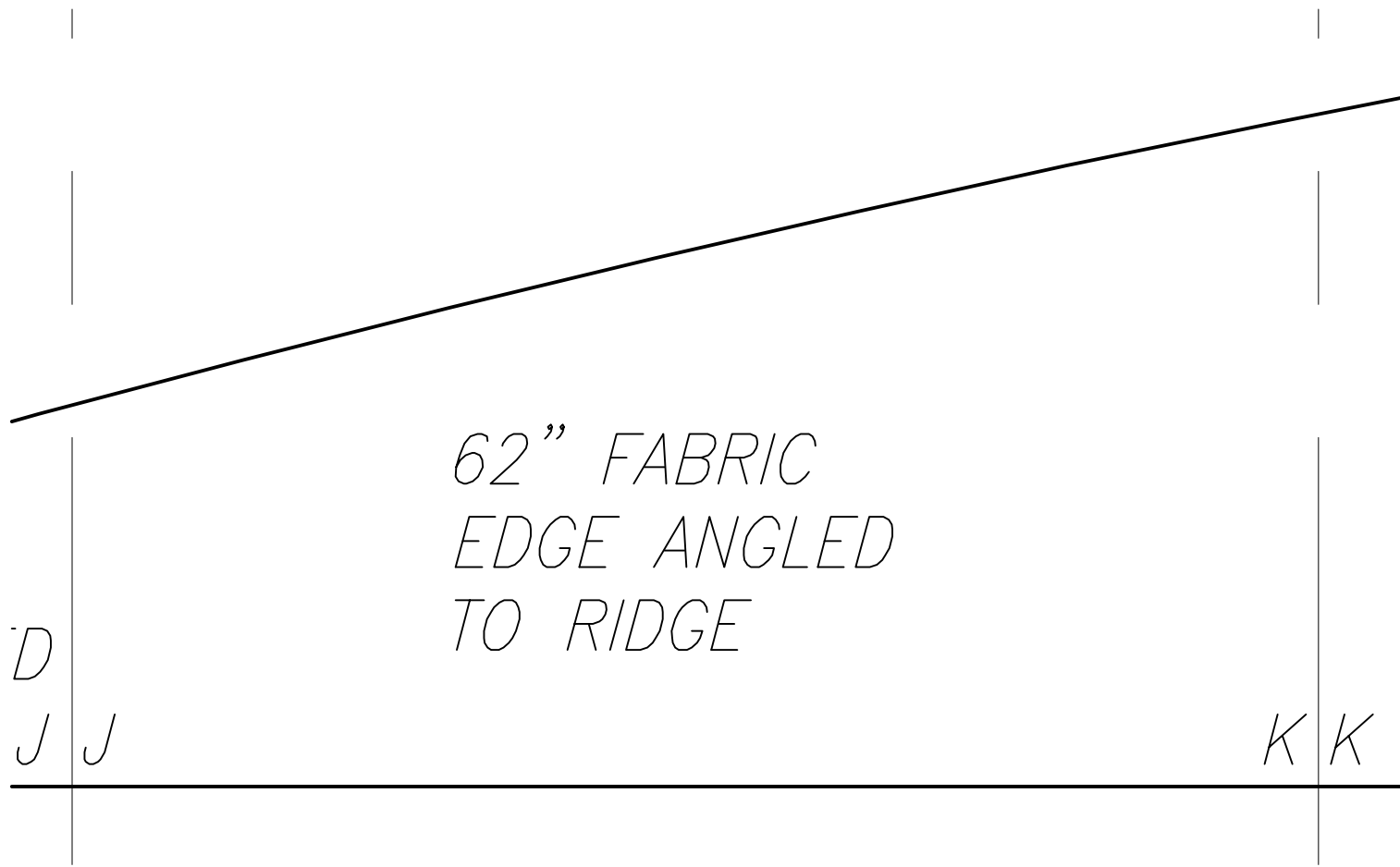
G G

H H







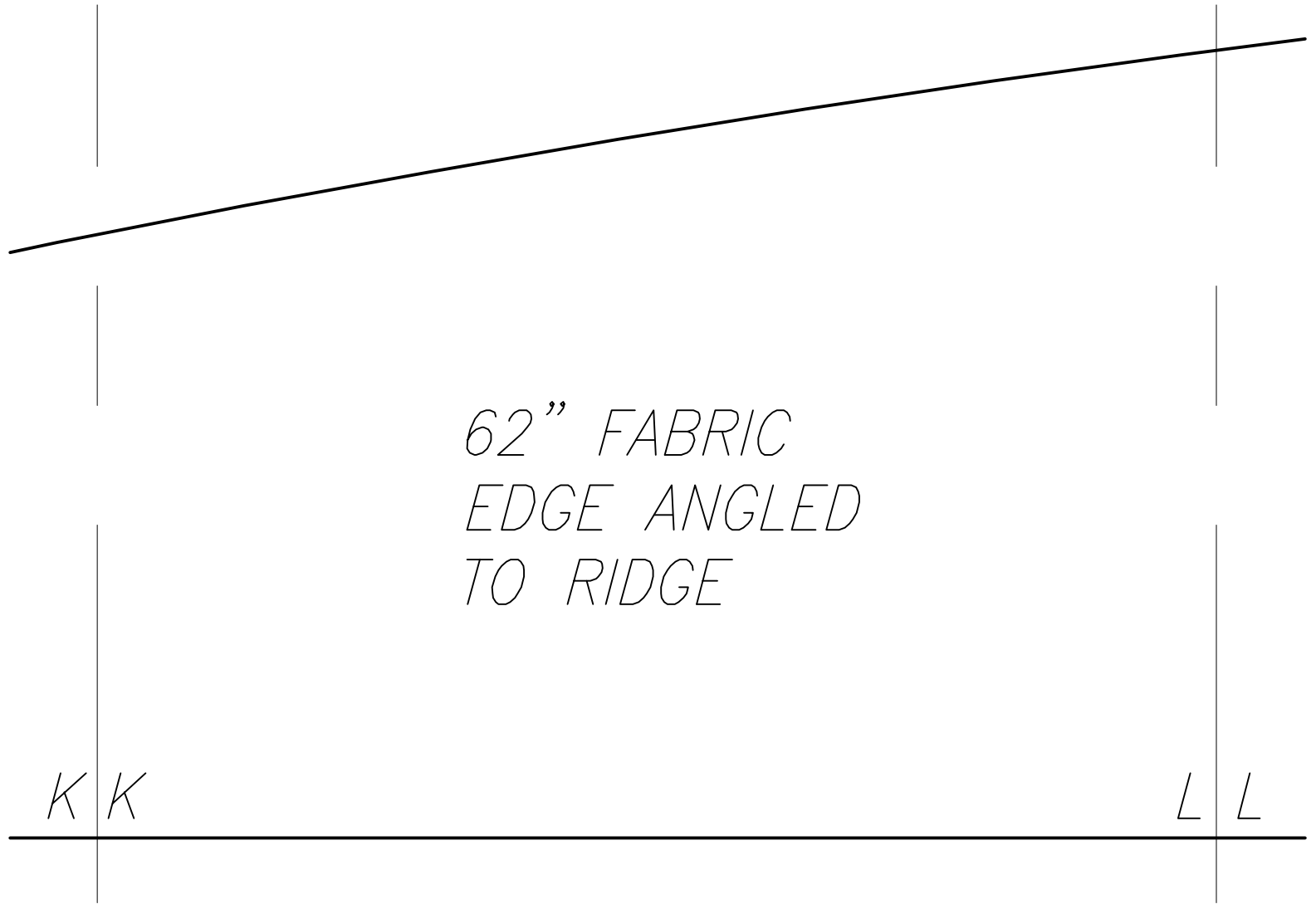


62" FABRIC
EDGE ANGLED
TO RIDGE

D

J J

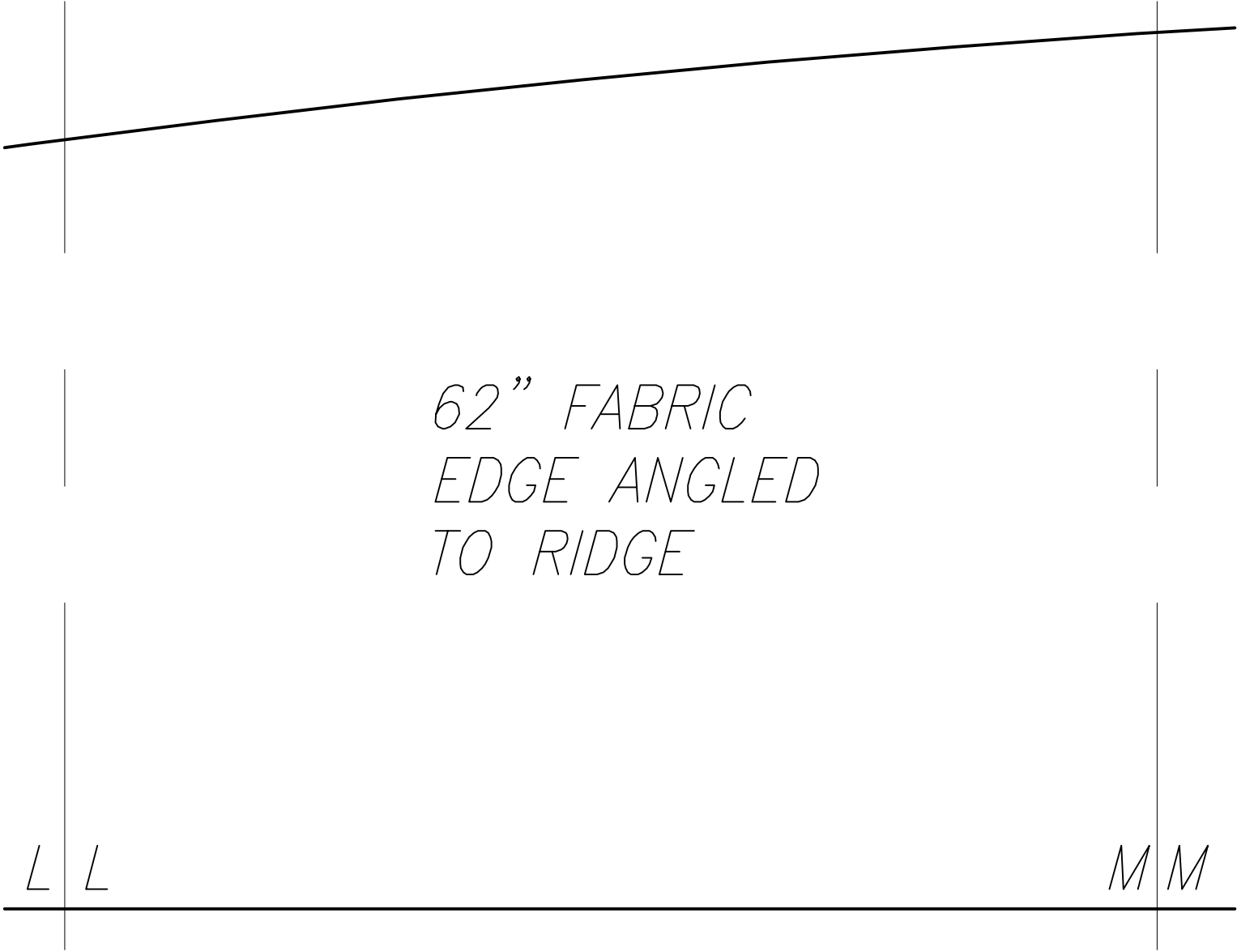
K K



62" FABRIC
EDGE ANGLED
TO RIDGE

K K

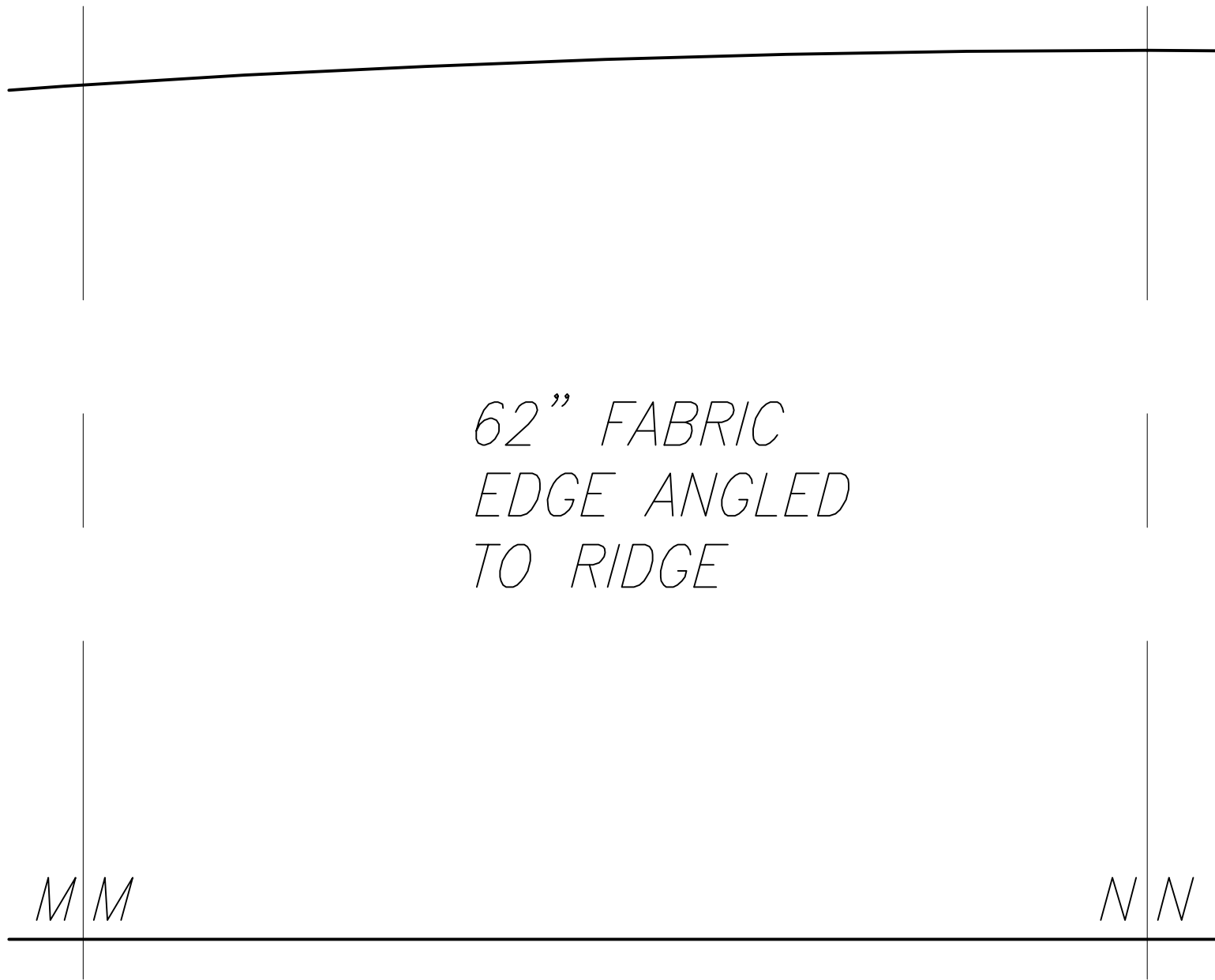
L L



*62" FABRIC
EDGE ANGLED
TO RIDGE*

L L

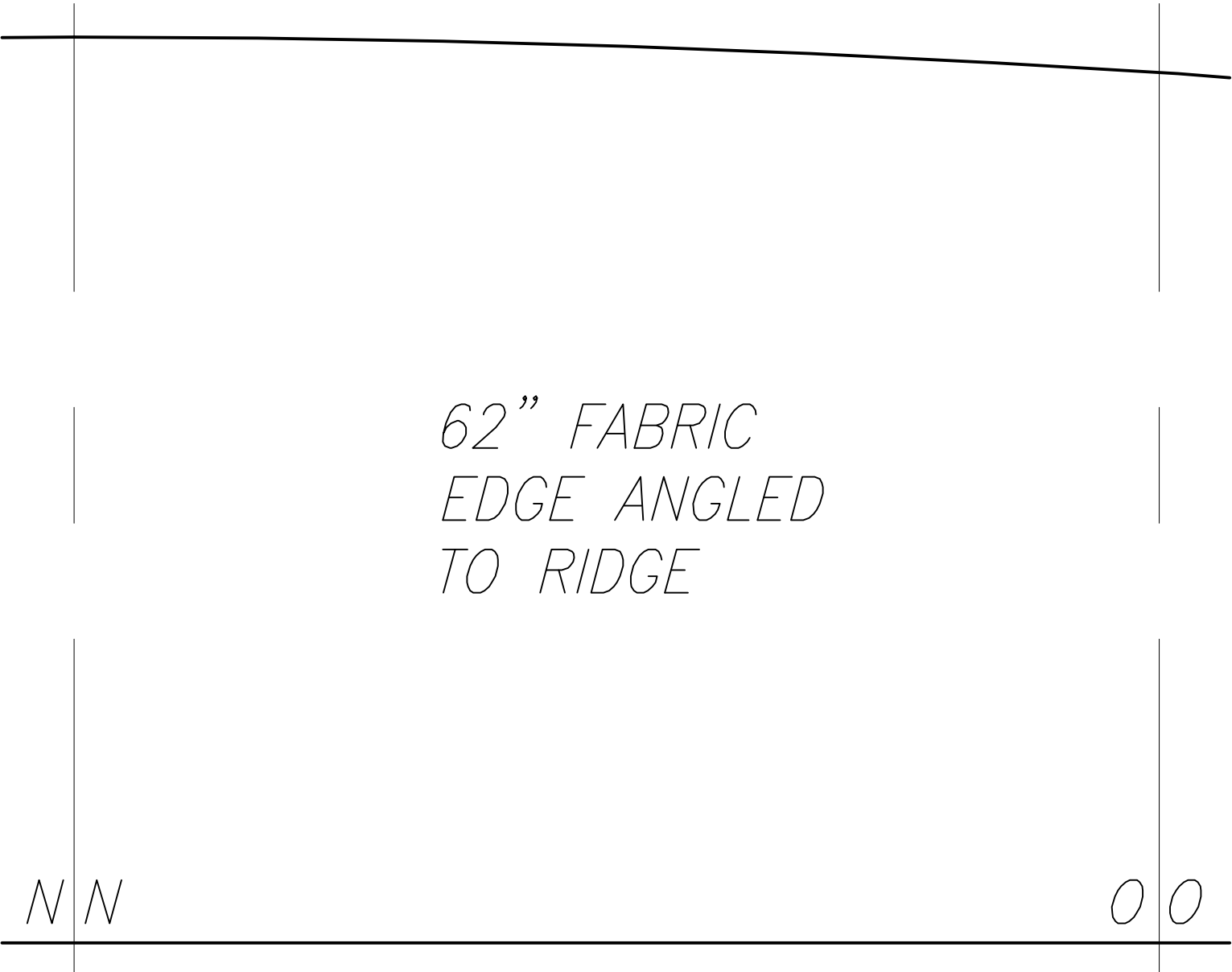
M M



*62" FABRIC
EDGE ANGLED
TO RIDGE*

MM

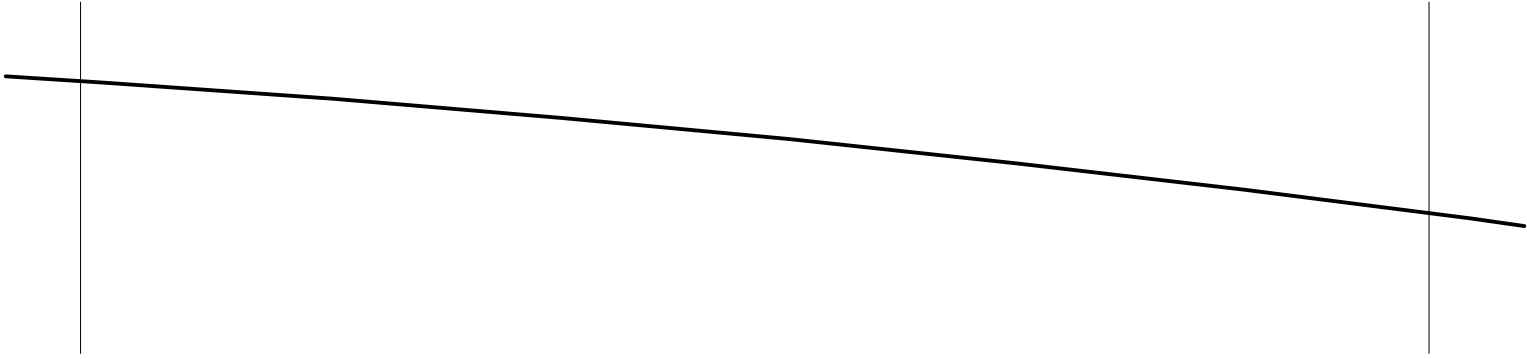
NN



*62" FABRIC
EDGE ANGLED
TO RIDGE*

NN

OO

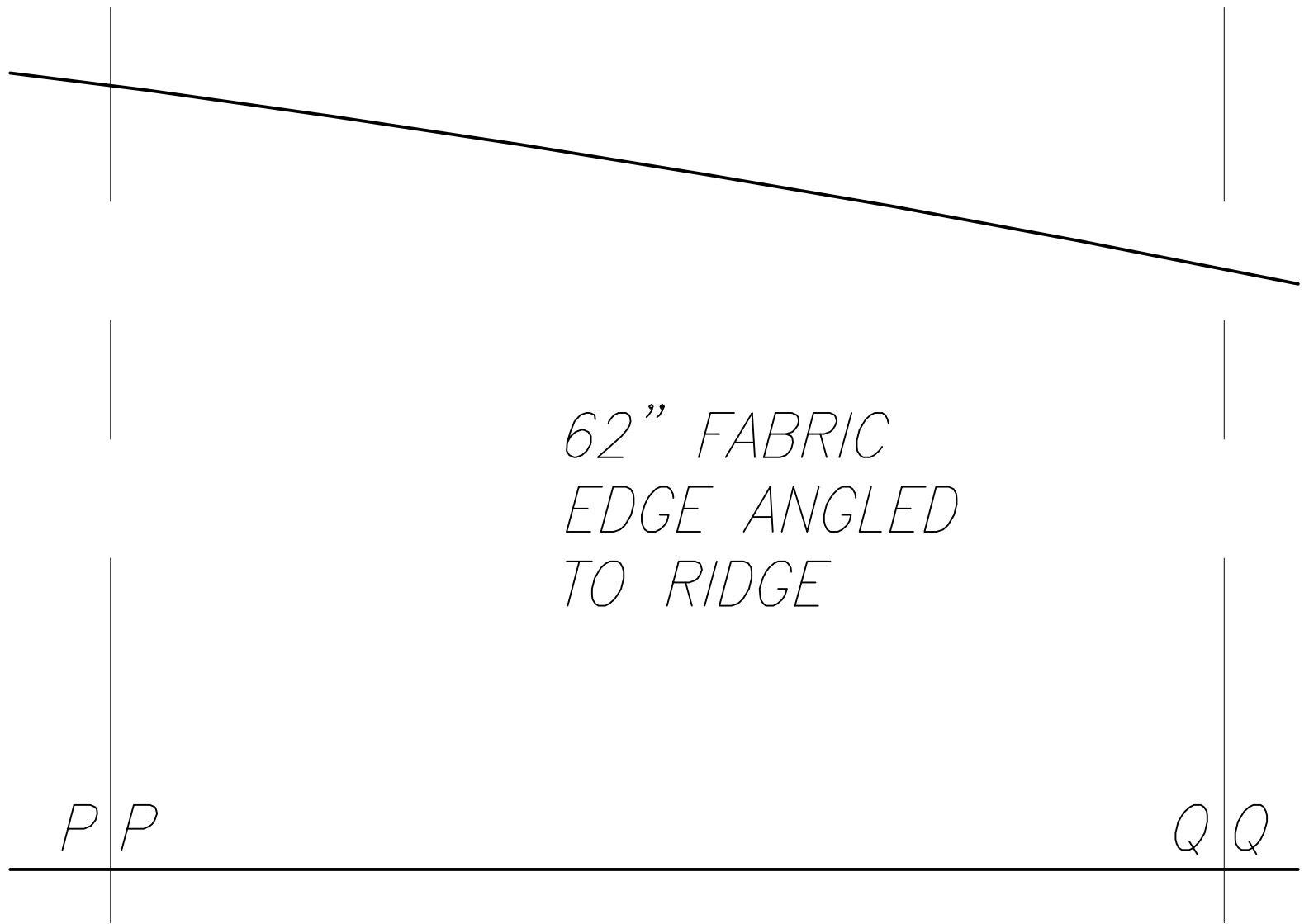


*62" FABRIC
EDGE ANGLED
TO RIDGE*

OO

PP

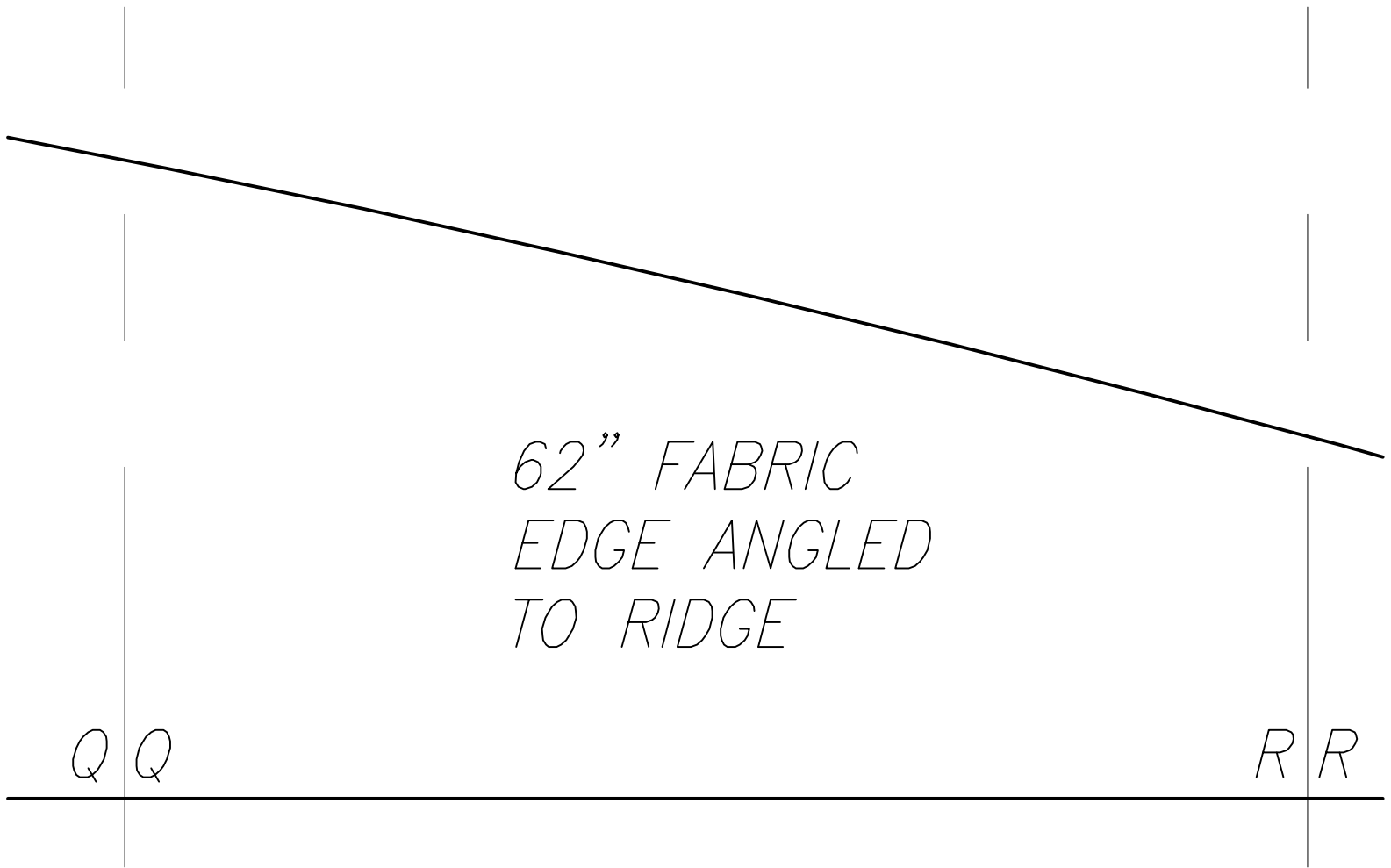




*62" FABRIC
EDGE ANGLED
TO RIDGE*

P P

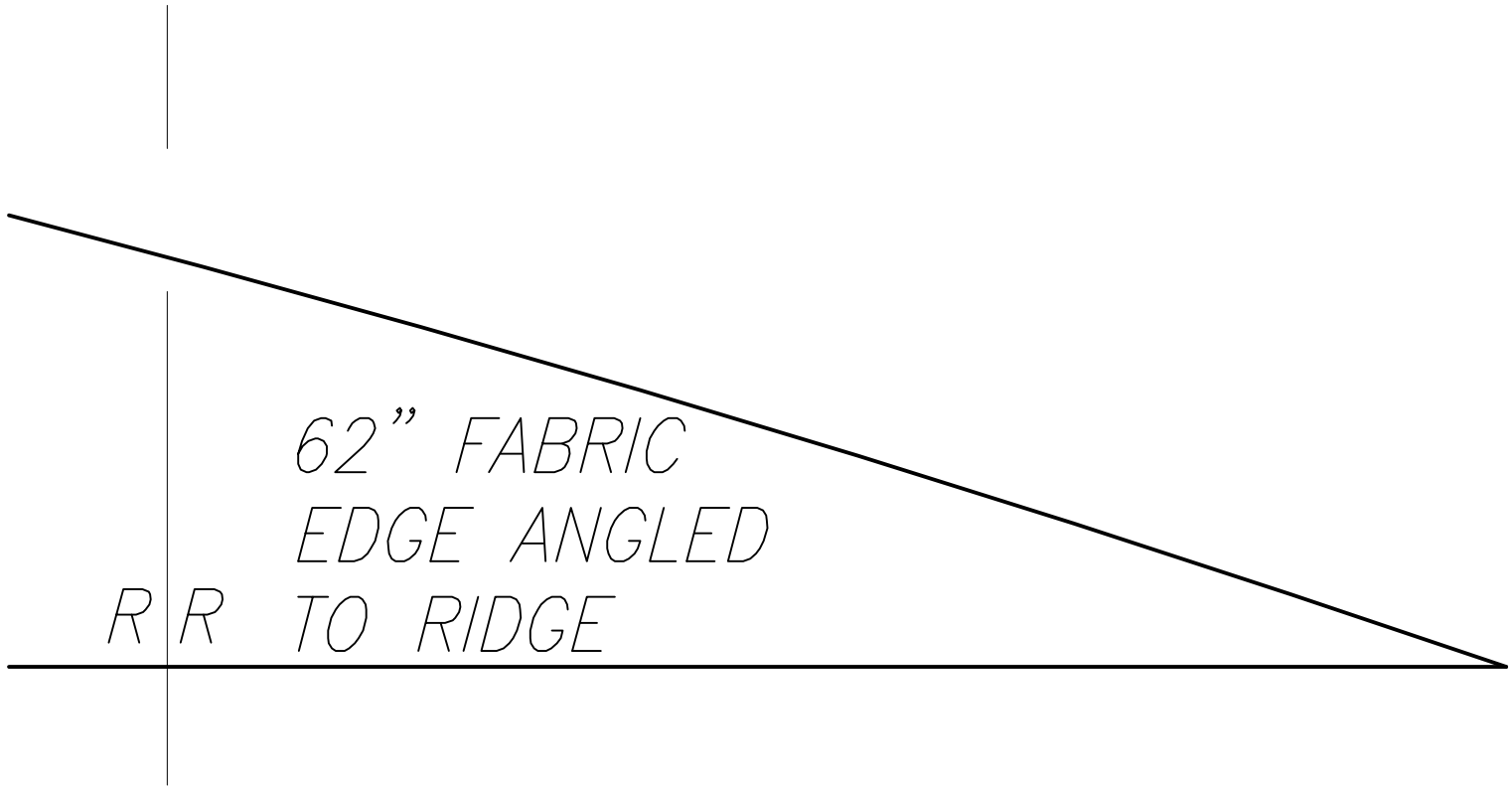
Q Q



*62" FABRIC
EDGE ANGLED
TO RIDGE*

Q Q

R R



*62" FABRIC
EDGE ANGLED*

RR TO RIDGE