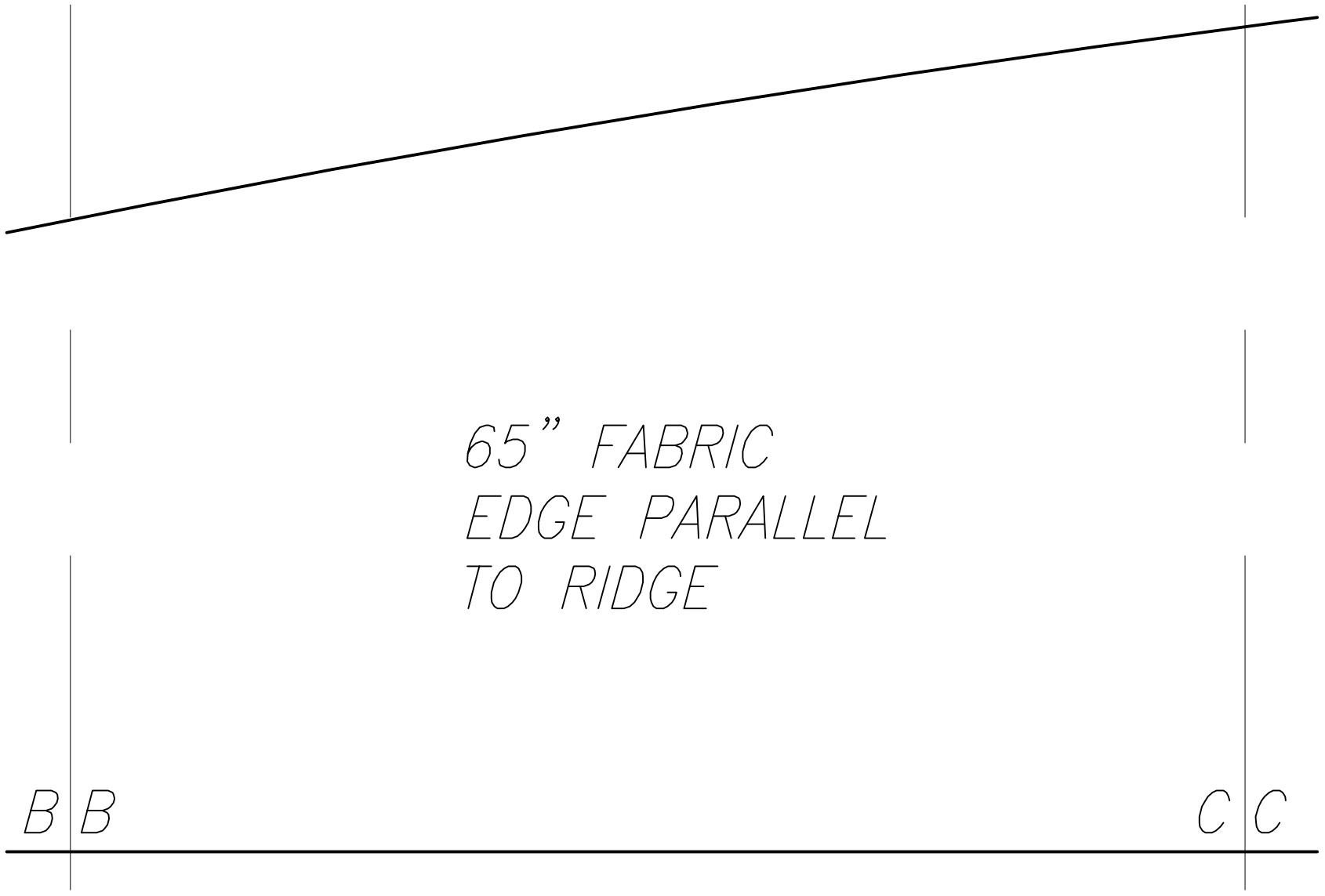


65" FABRIC
EDGE PARALLEL
TO RIDGE

A A

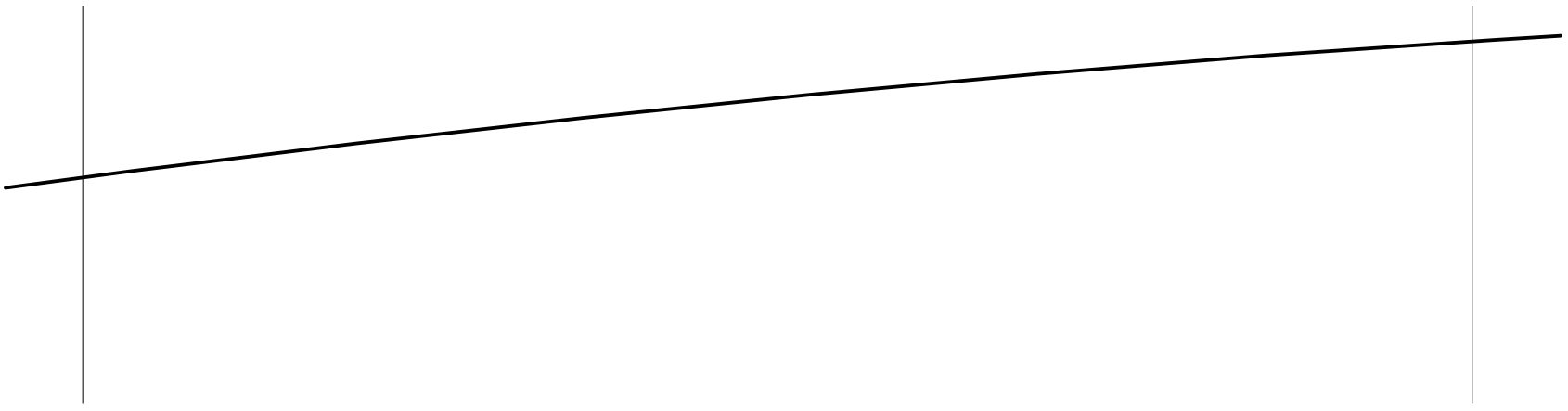
B B



*65" FABRIC
EDGE PARALLEL
TO RIDGE*

B B

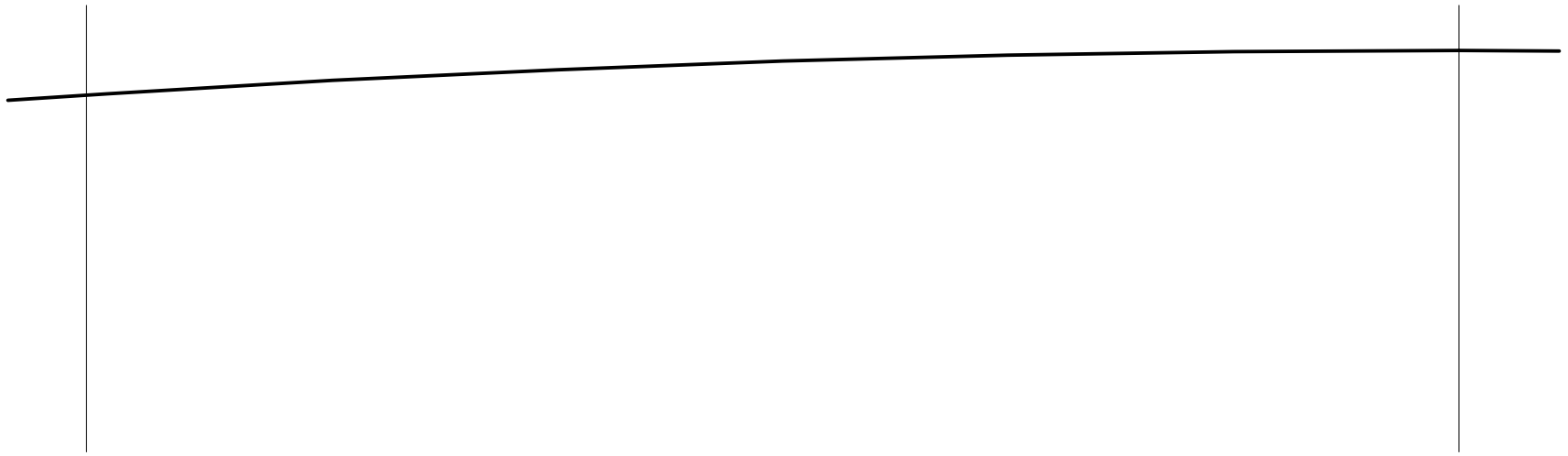
C C



*65" FABRIC
EDGE PARALLEL
TO RIDGE*

C C

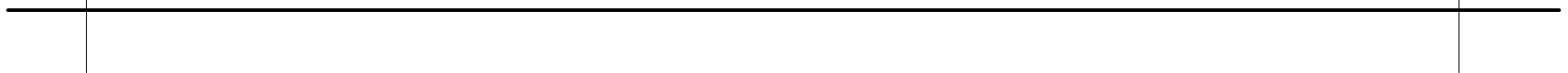
D D



*65" FABRIC
EDGE PARALLEL
TO RIDGE*

D D

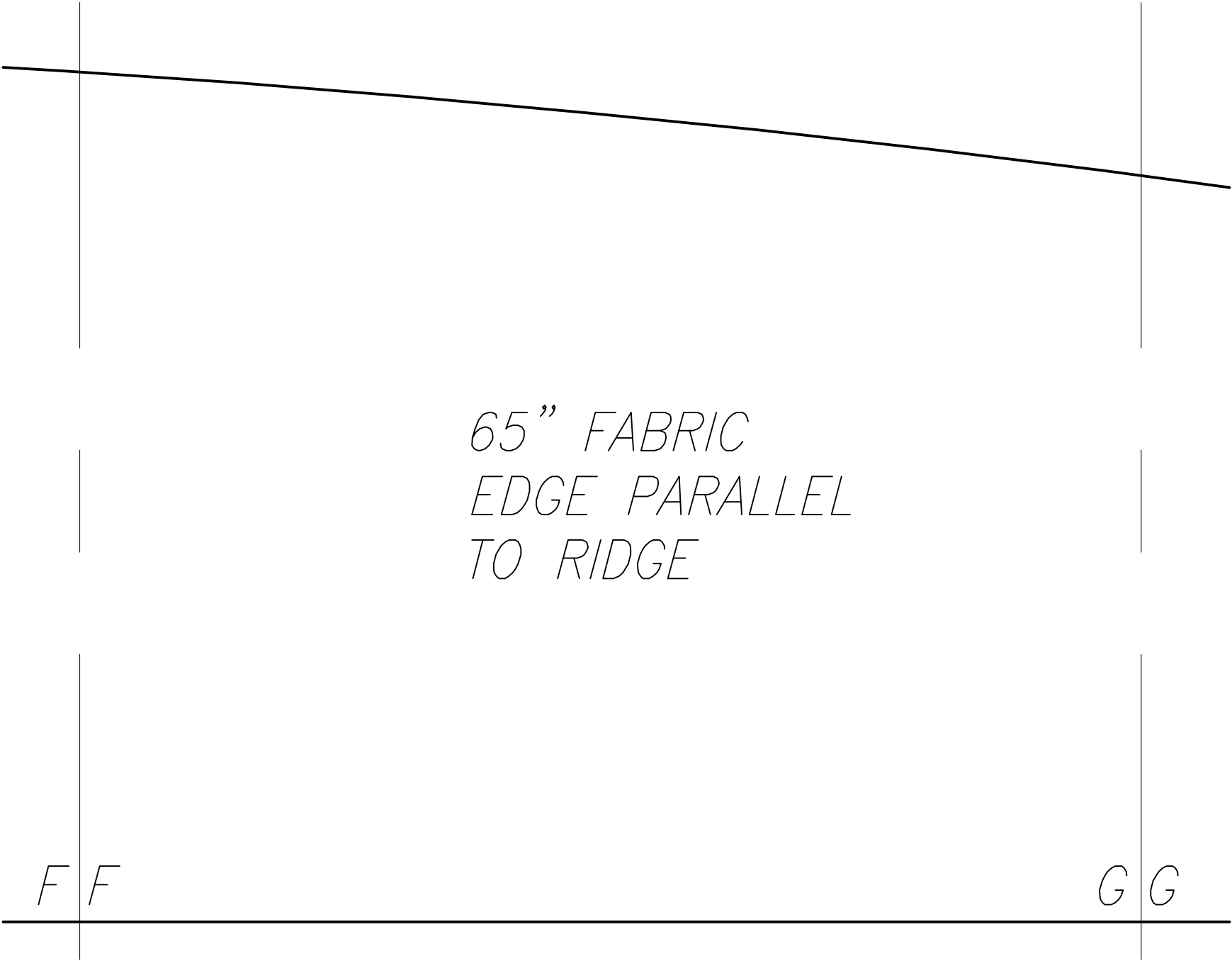
E E



*65" FABRIC
EDGE PARALLEL
TO RIDGE*

E E

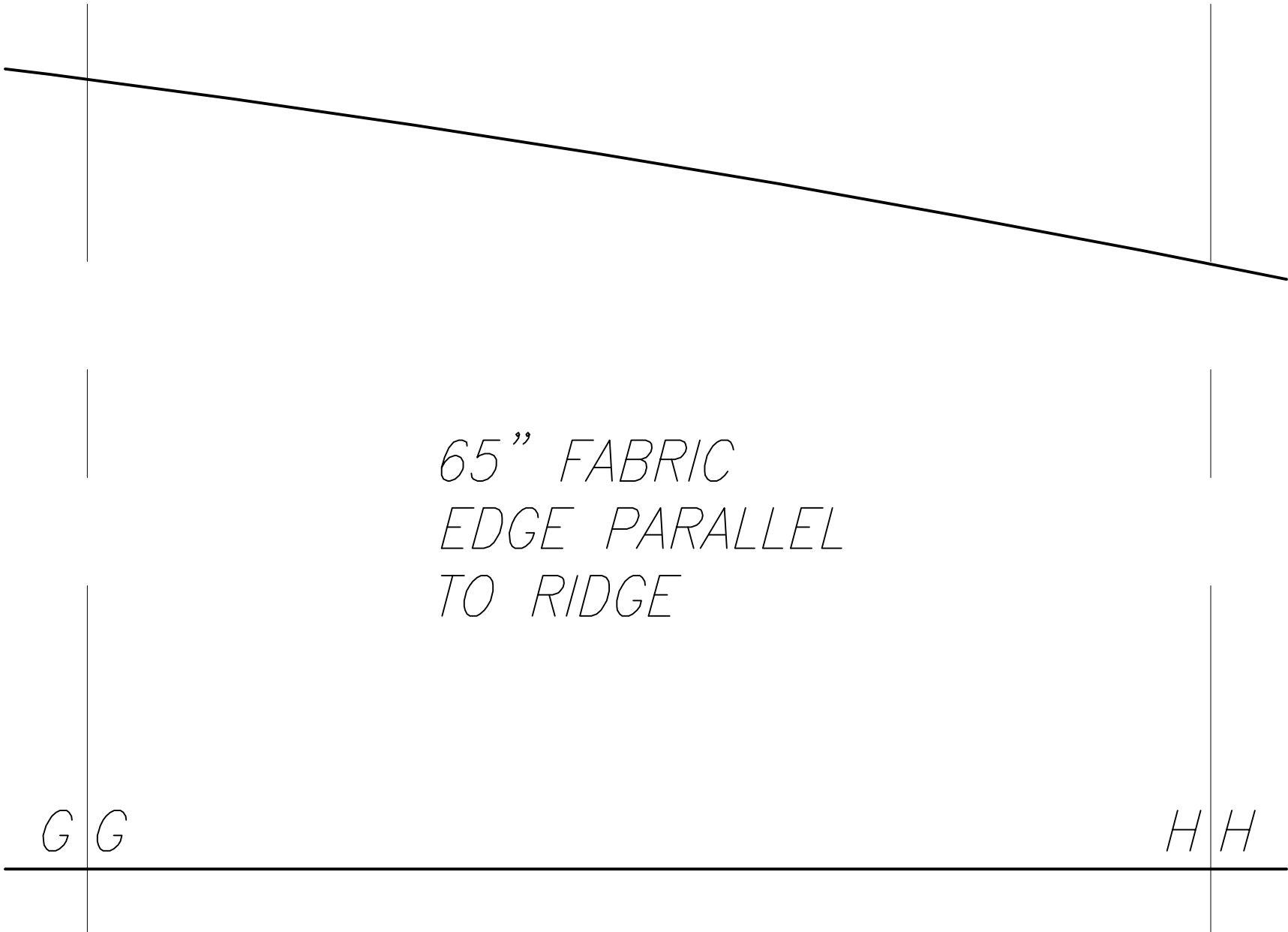
F F



*65" FABRIC
EDGE PARALLEL
TO RIDGE*

F F

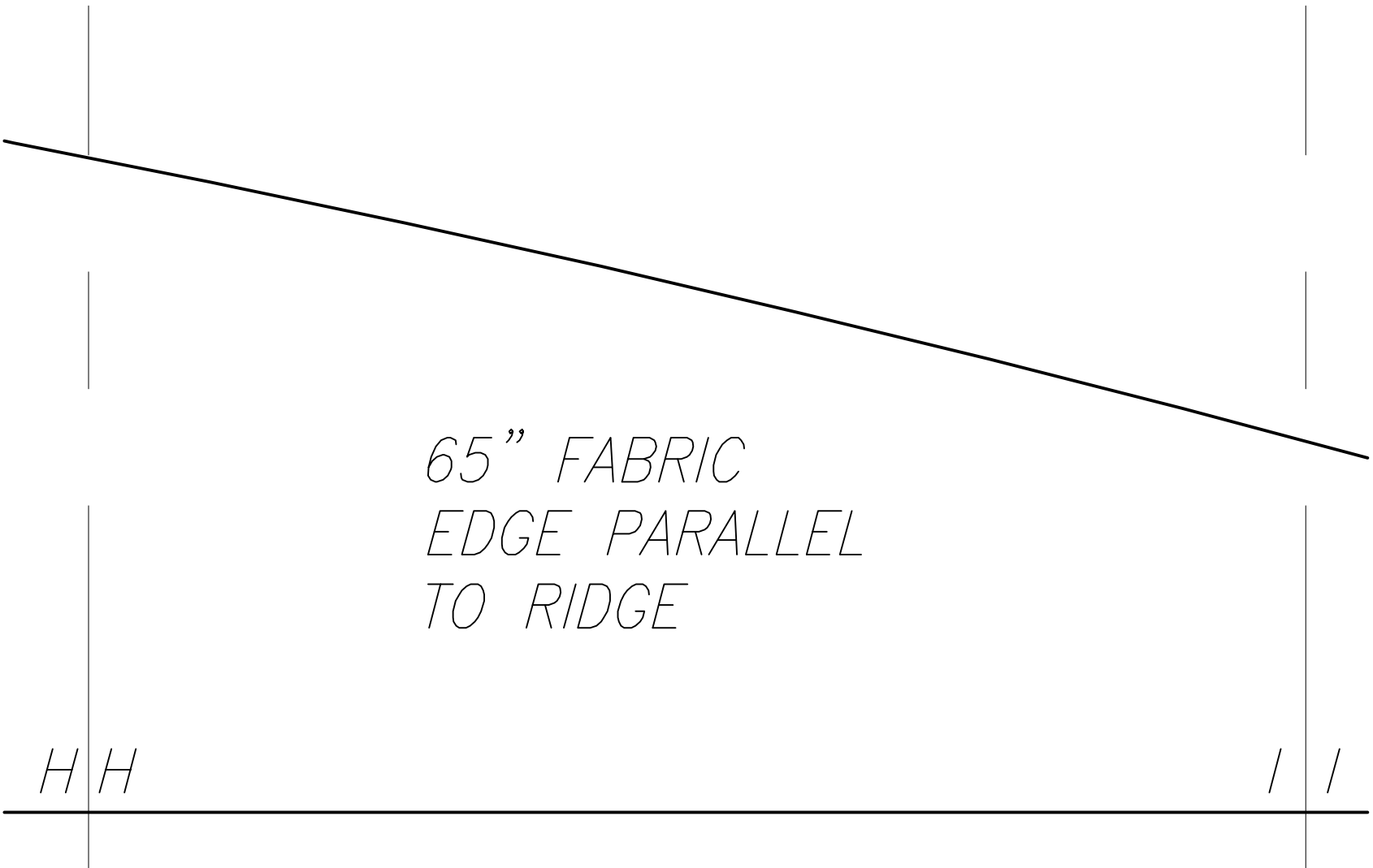
G G



*65" FABRIC
EDGE PARALLEL
TO RIDGE*

G G

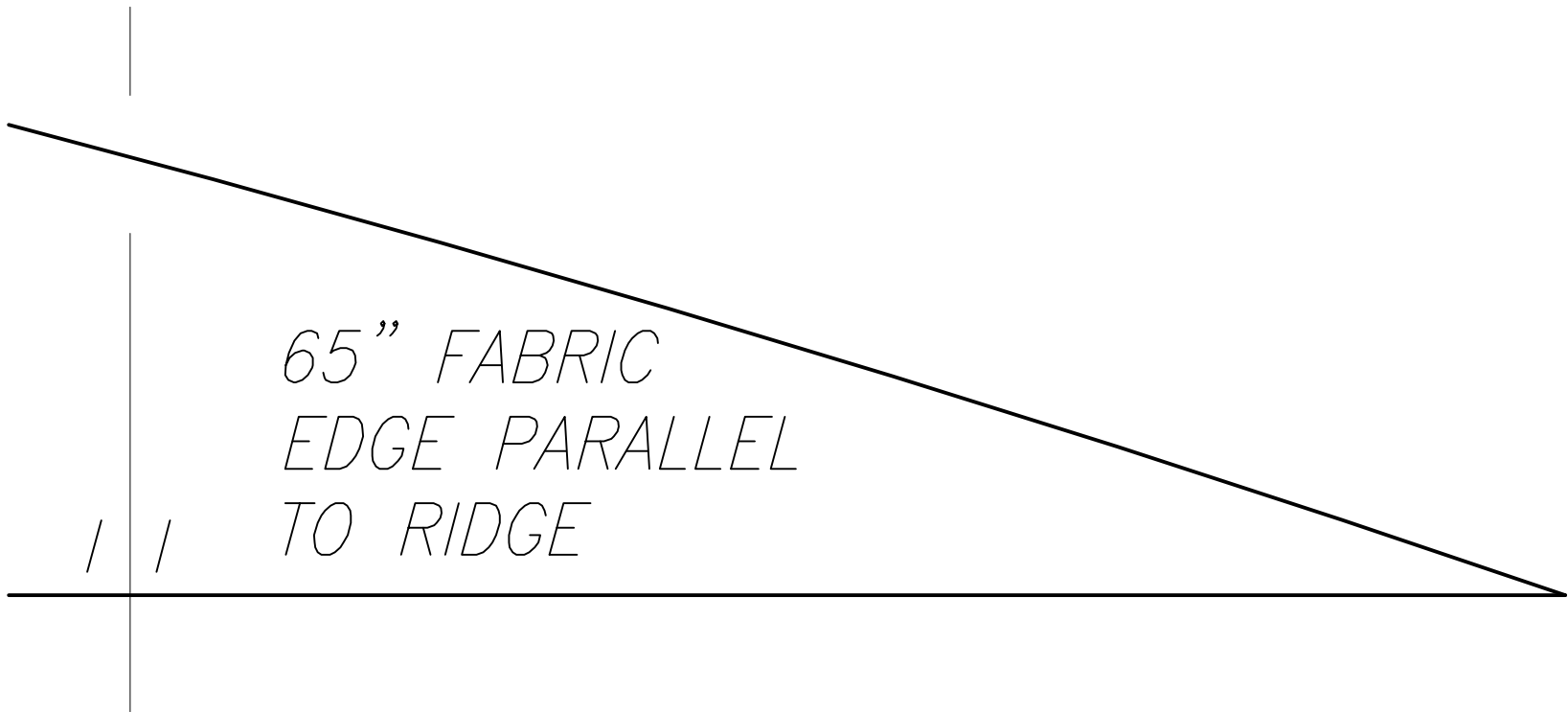
H H



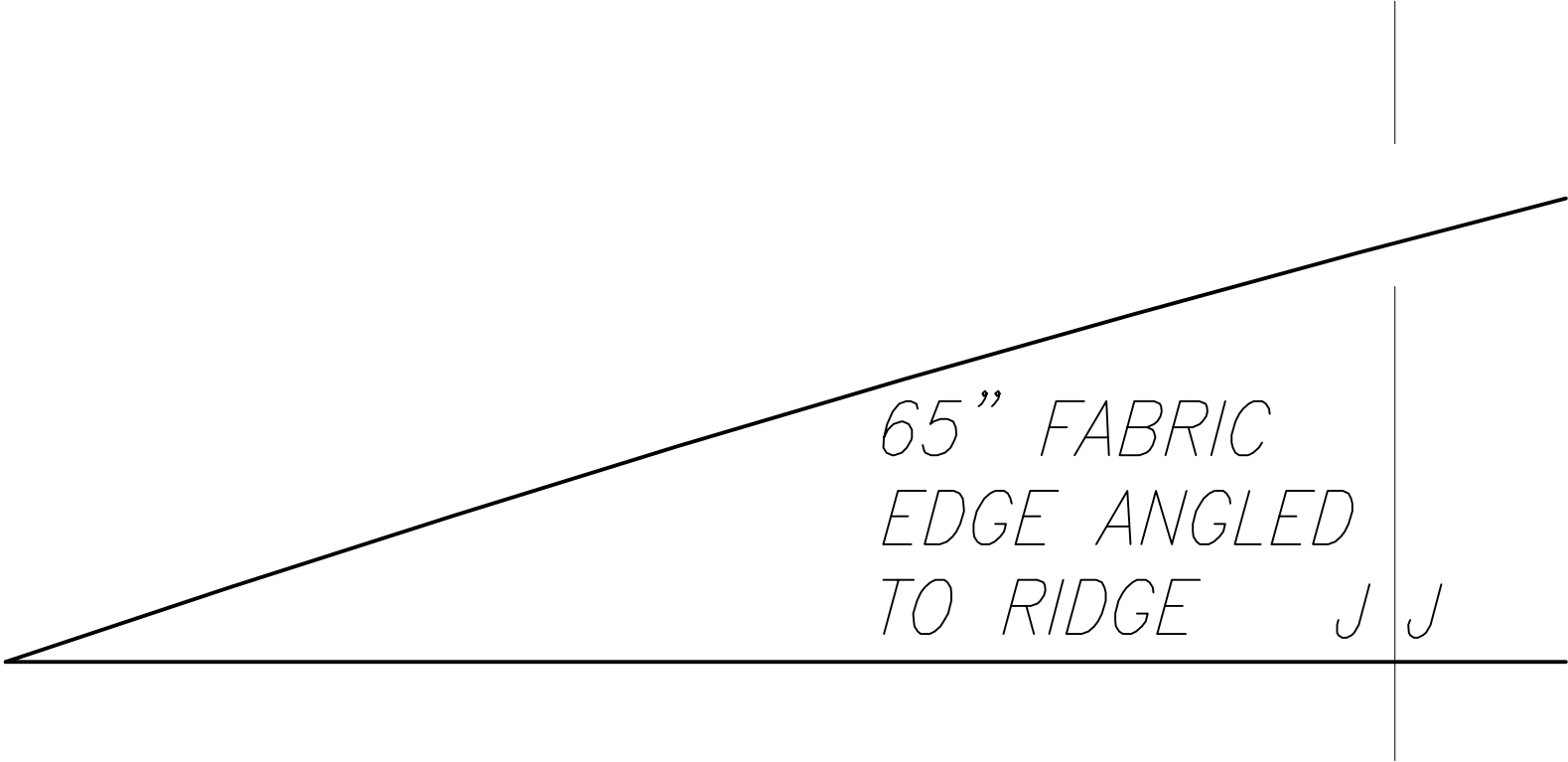
*65" FABRIC
EDGE PARALLEL
TO RIDGE*

H H

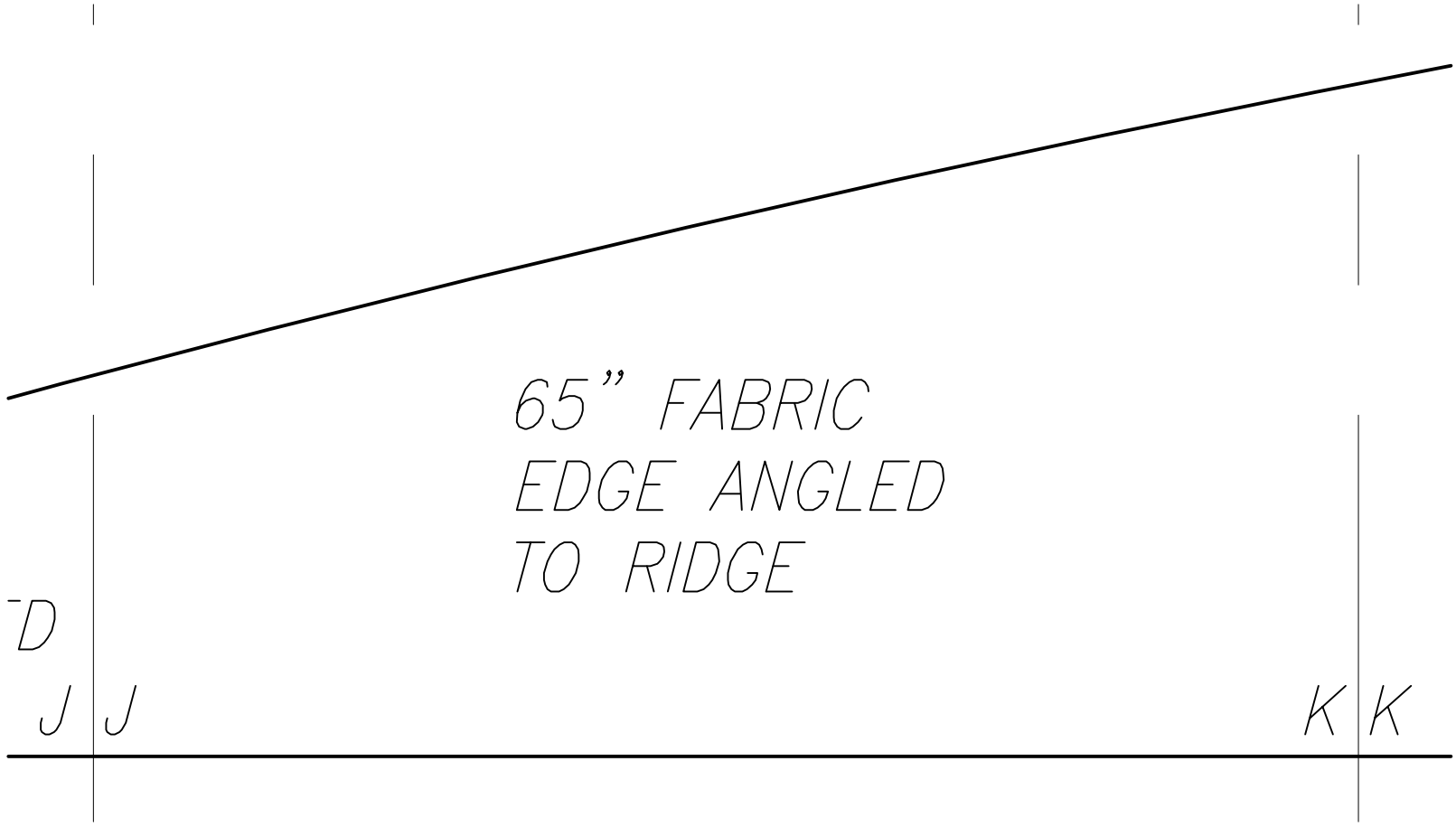
||



*65" FABRIC
EDGE PARALLEL
TO RIDGE*



65" FABRIC
EDGE ANGLED
TO RIDGE J J

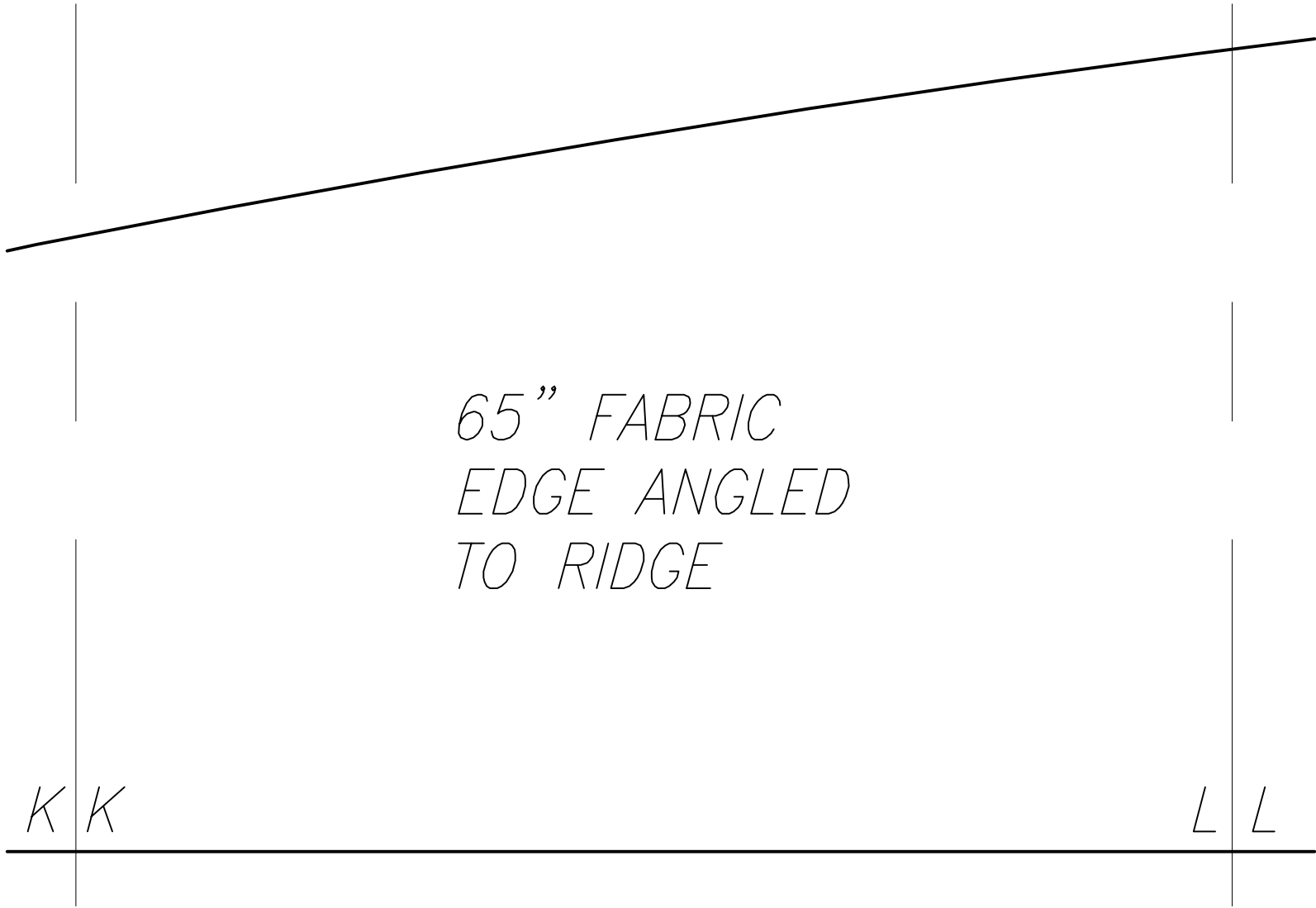


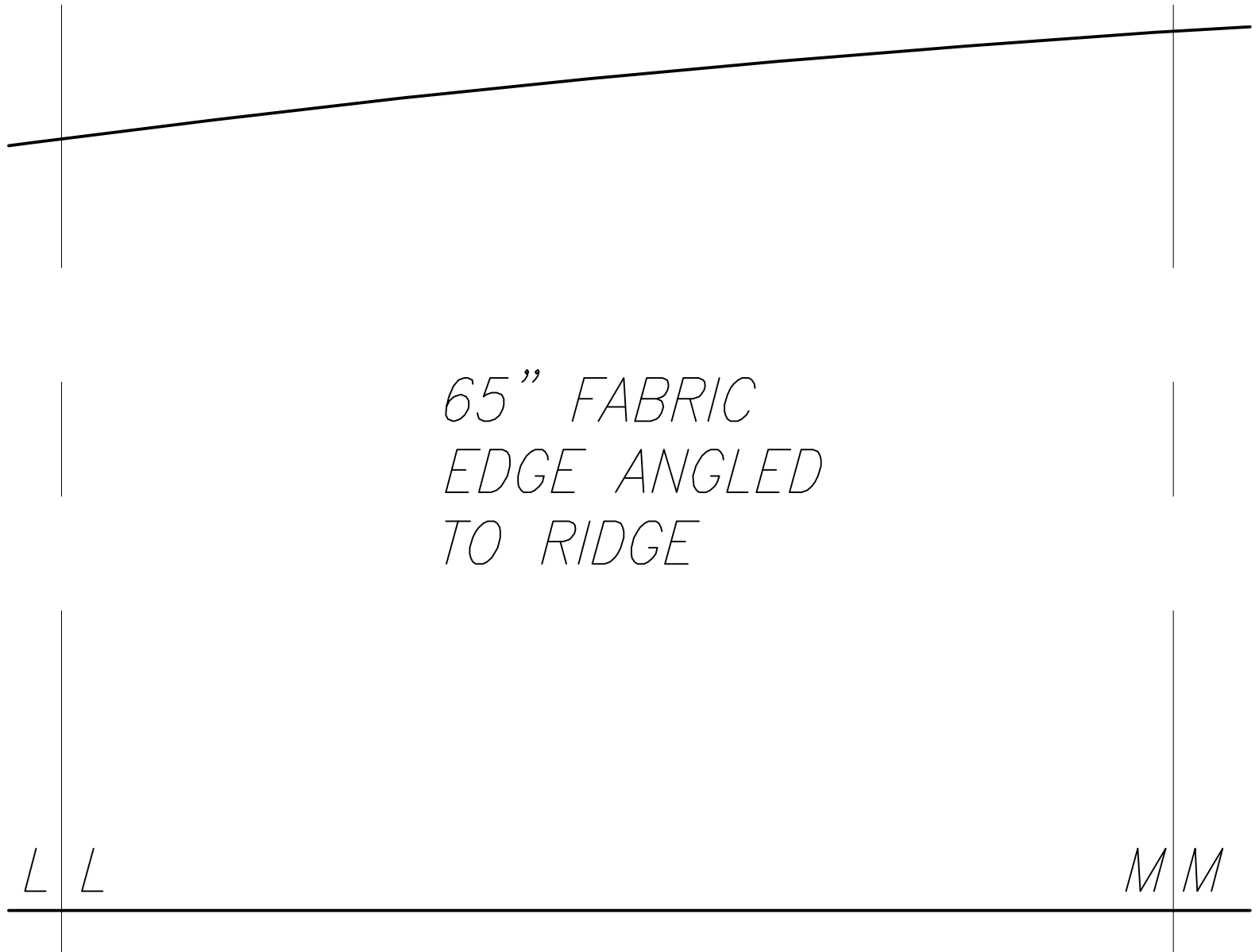
*65" FABRIC
EDGE ANGLED
TO RIDGE*

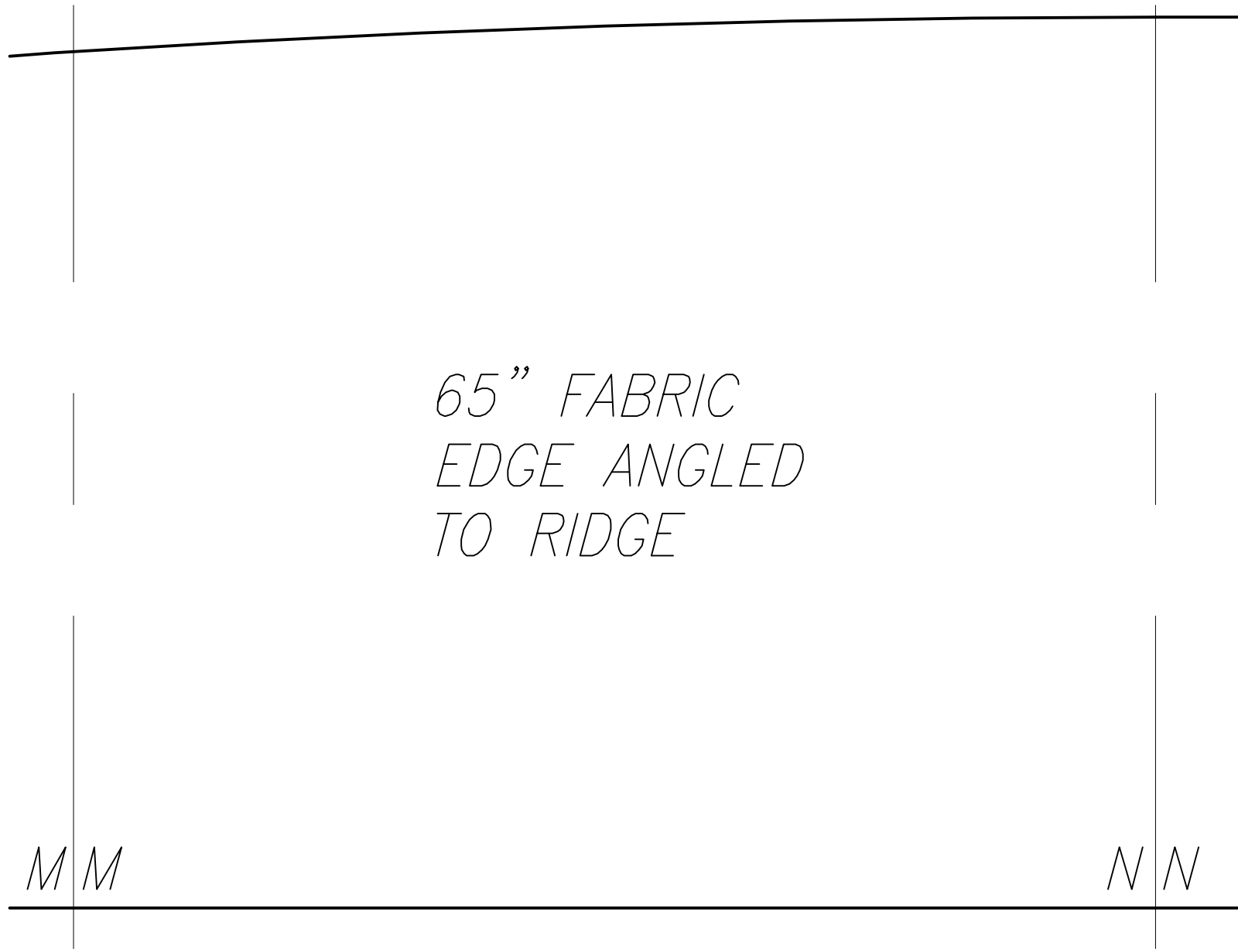
D

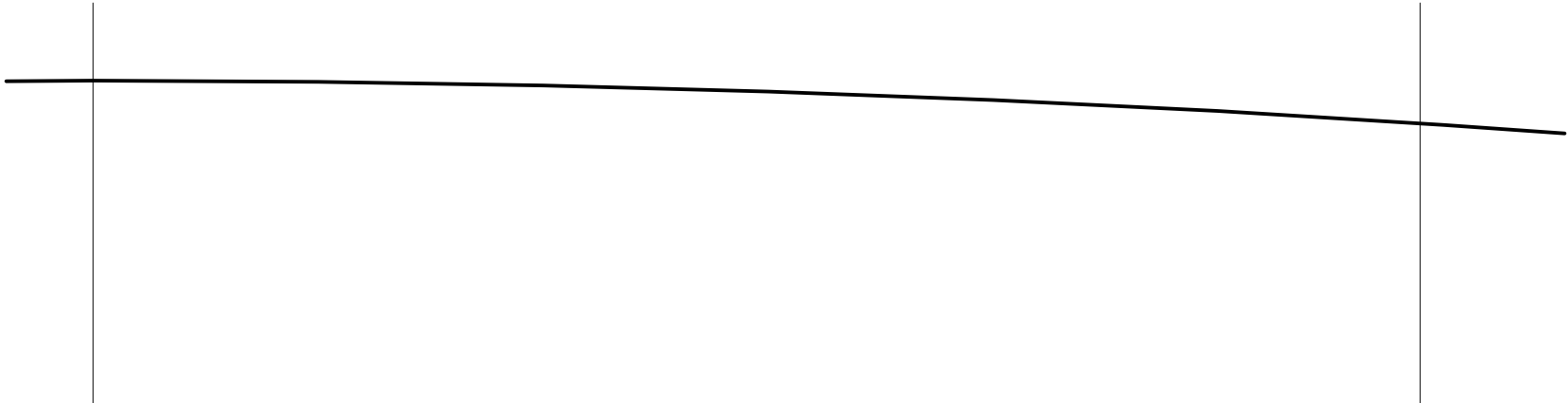
J J

K K







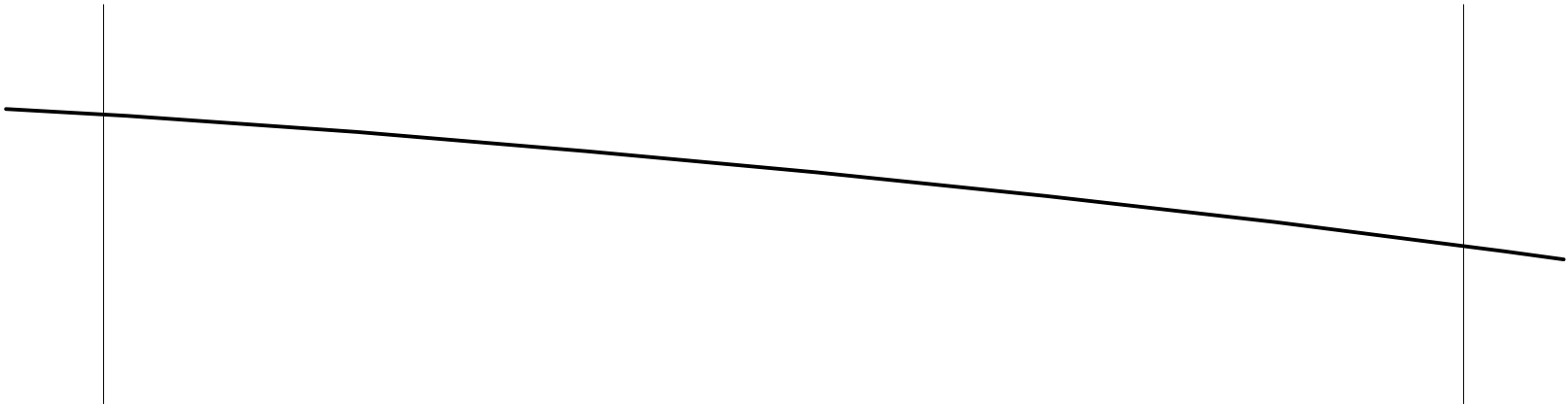


*65" FABRIC
EDGE ANGLED
TO RIDGE*

N N

O O



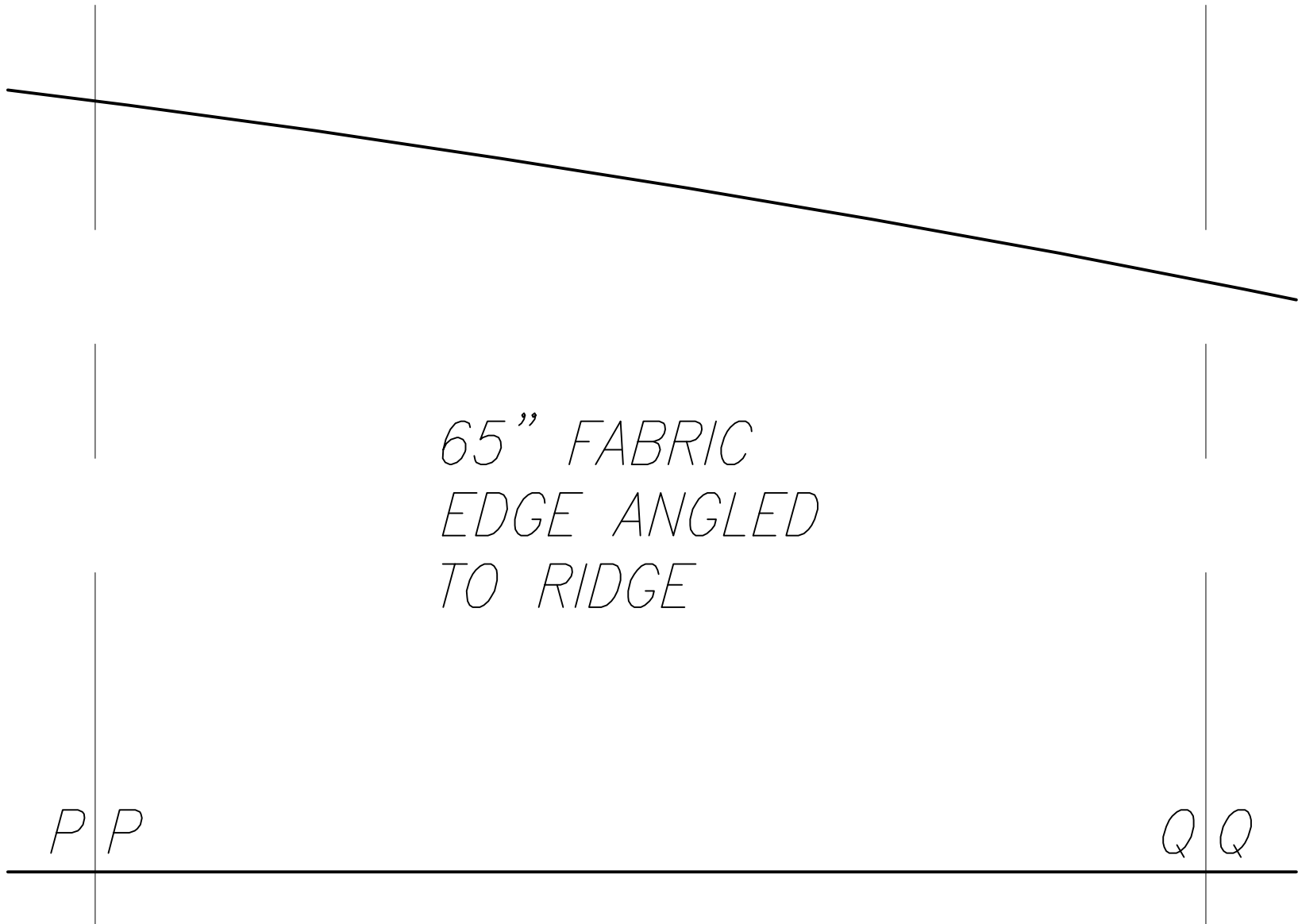


*65" FABRIC
EDGE ANGLED
TO RIDGE*



O O

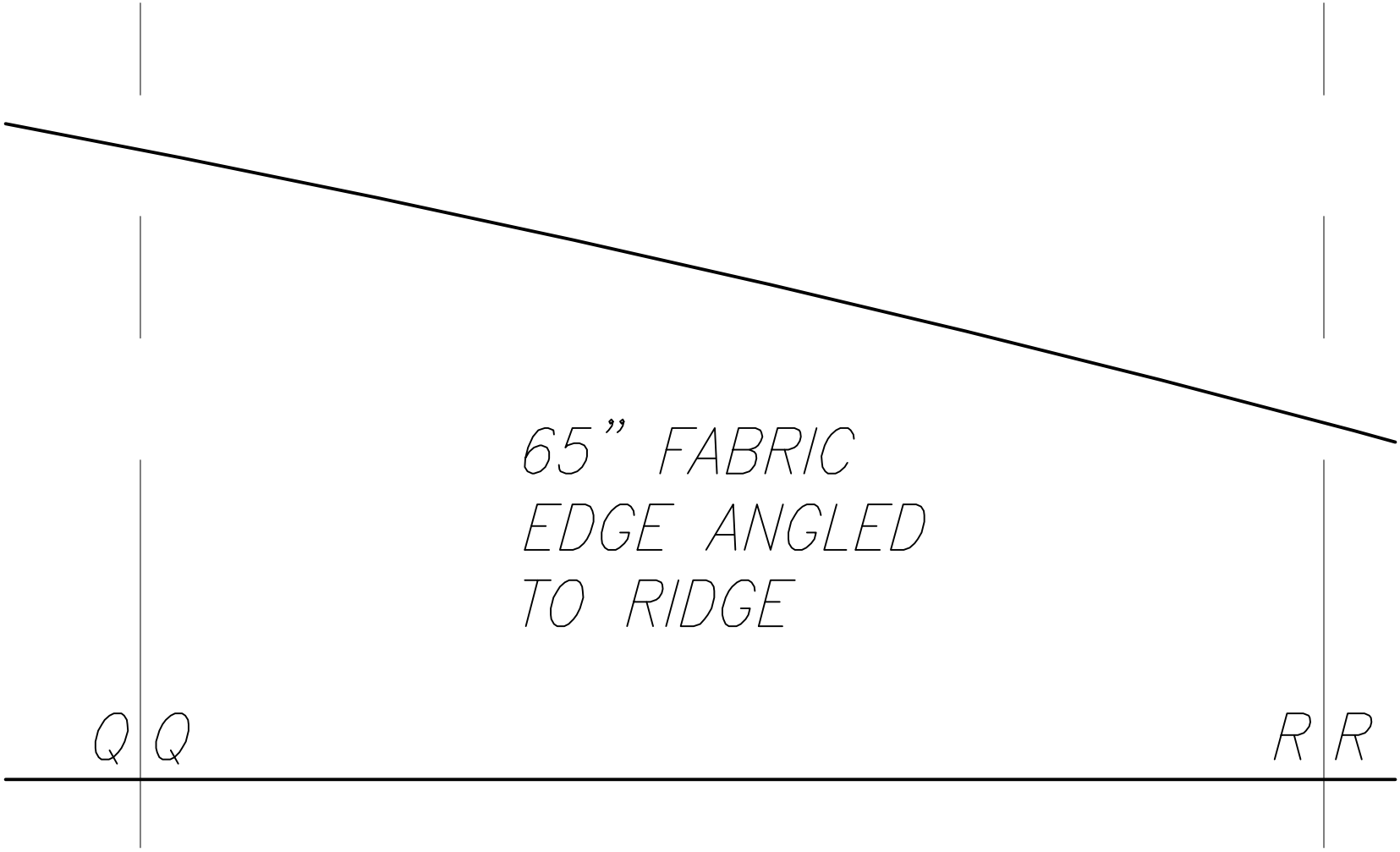
P P



*65" FABRIC
EDGE ANGLED
TO RIDGE*

P P

Q Q



*65" FABRIC
EDGE ANGLED
TO RIDGE*

Q Q

R R

