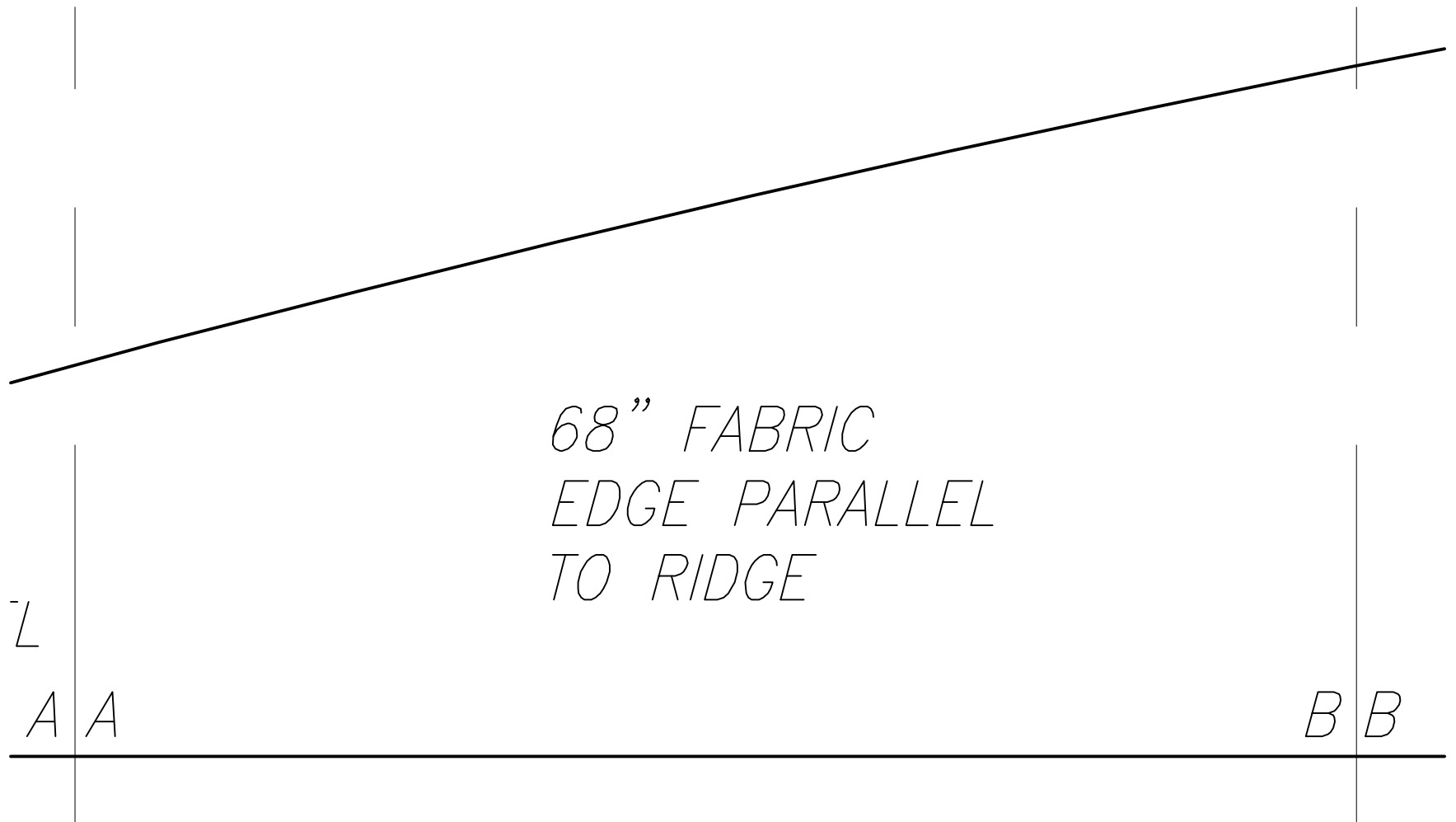


*68" FABRIC  
EDGE PARALLEL  
TO RIDGE*

*A A*

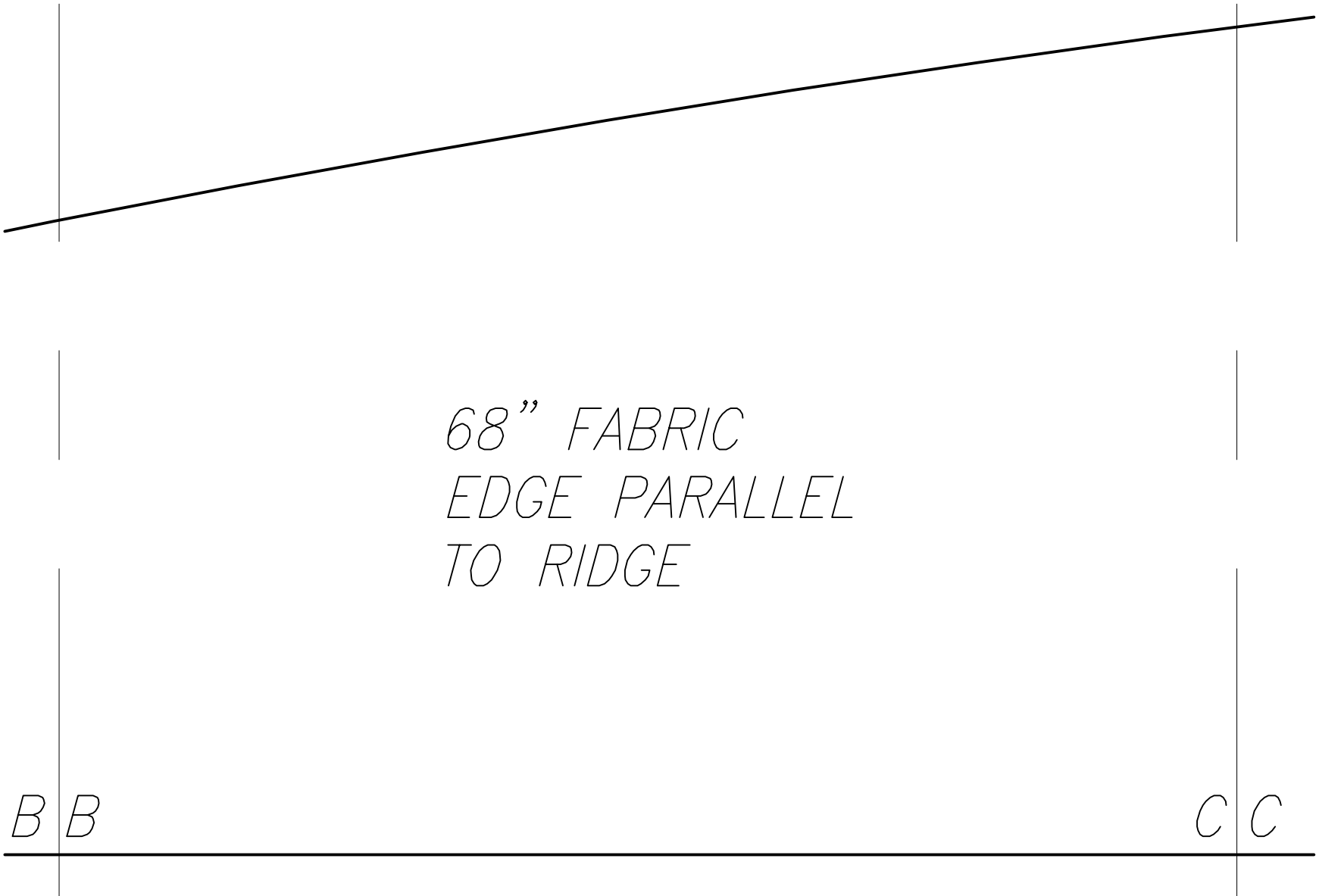


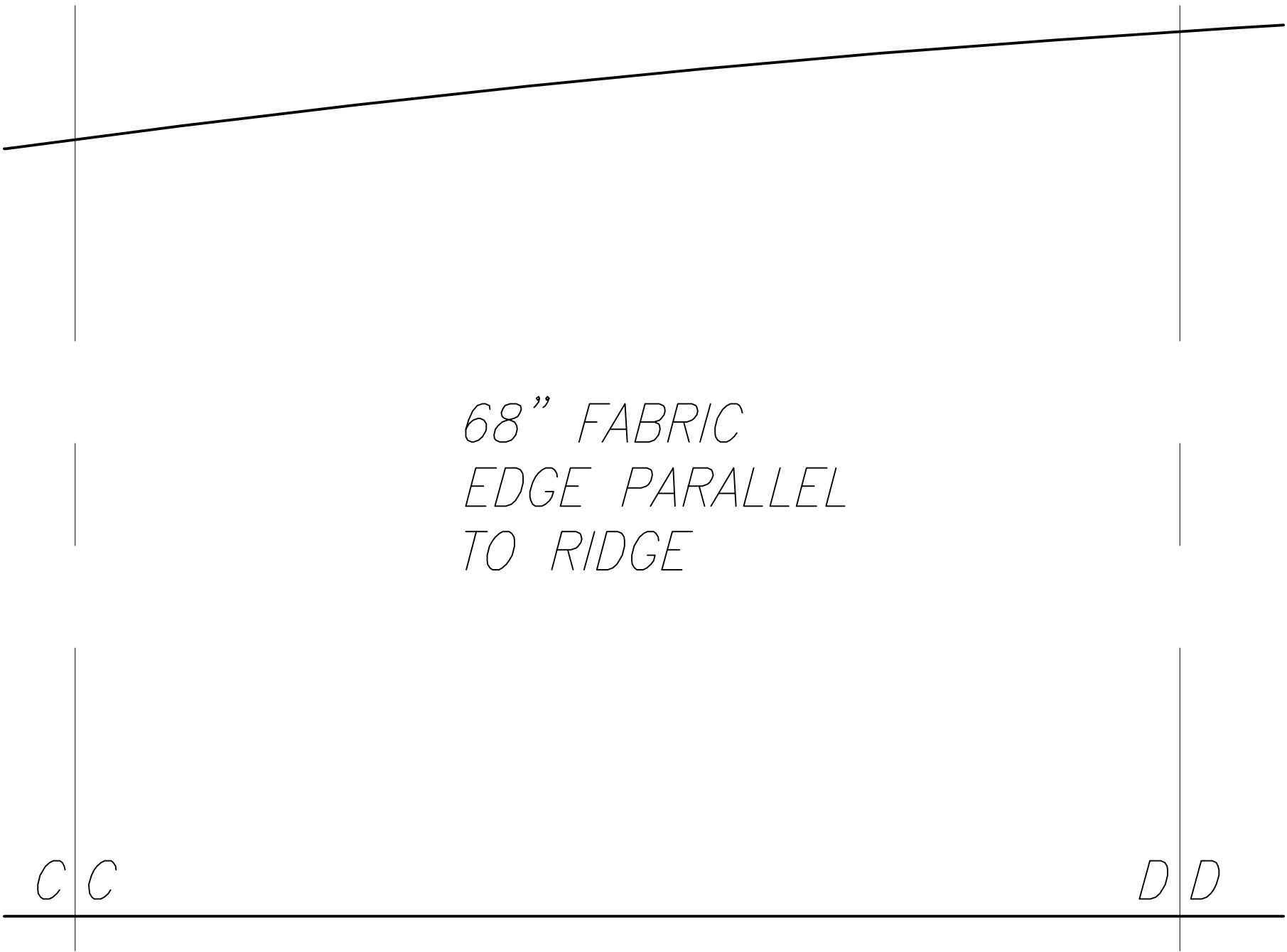
*68" FABRIC  
EDGE PARALLEL  
TO RIDGE*

*L*

*A A*

*B B*





*68" FABRIC  
EDGE PARALLEL  
TO RIDGE*

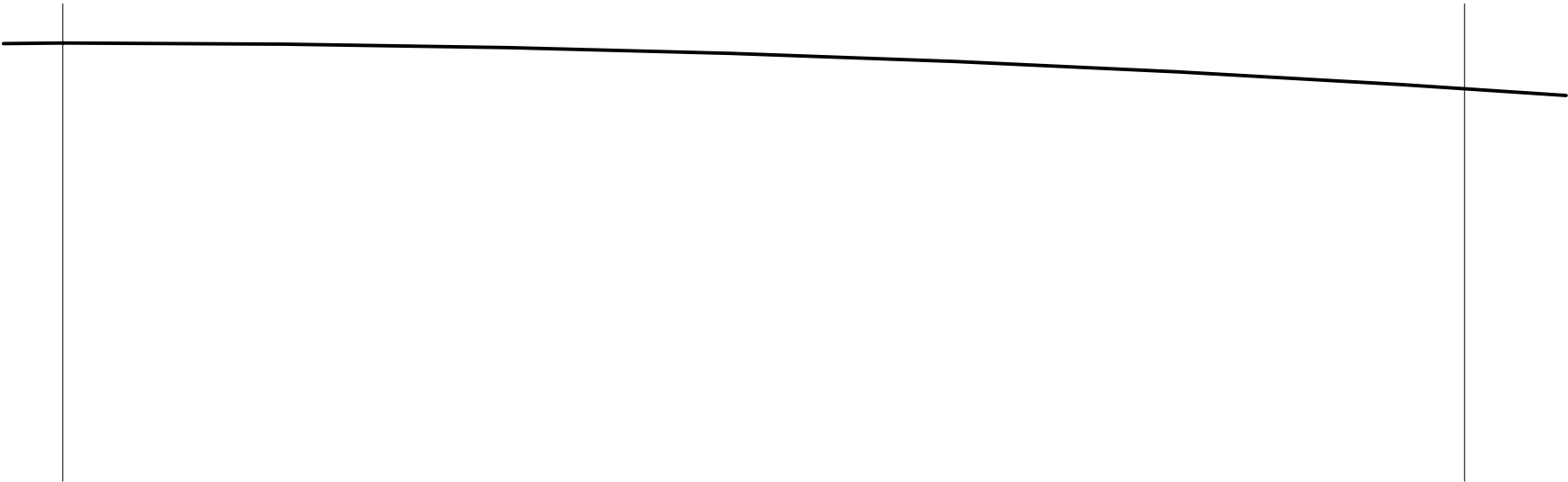
*C C*

*D D*

*68" FABRIC  
EDGE PARALLEL  
TO RIDGE*

*D D*

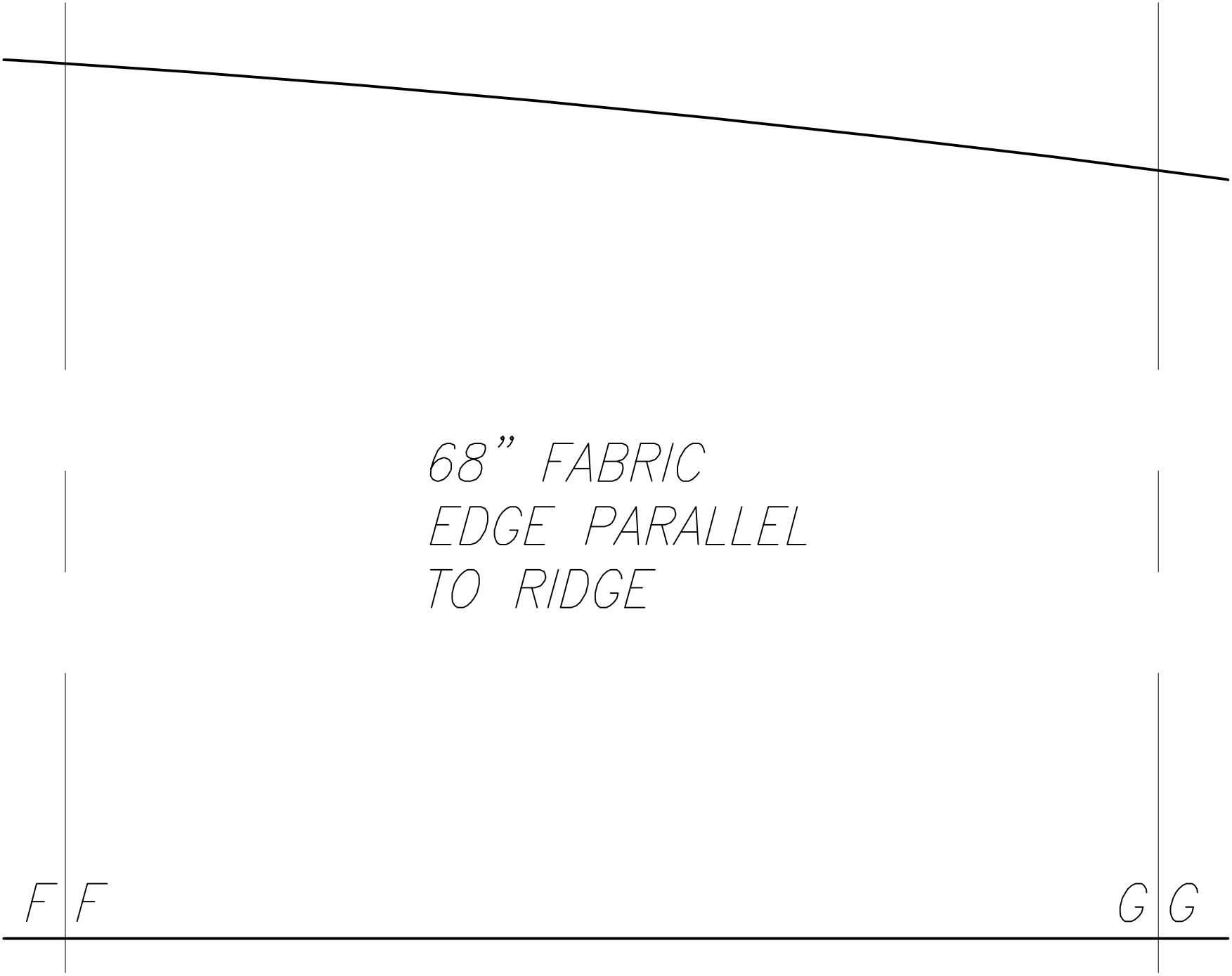
*E E*



*68" FABRIC  
EDGE PARALLEL  
TO RIDGE*

*E E*

*F F*

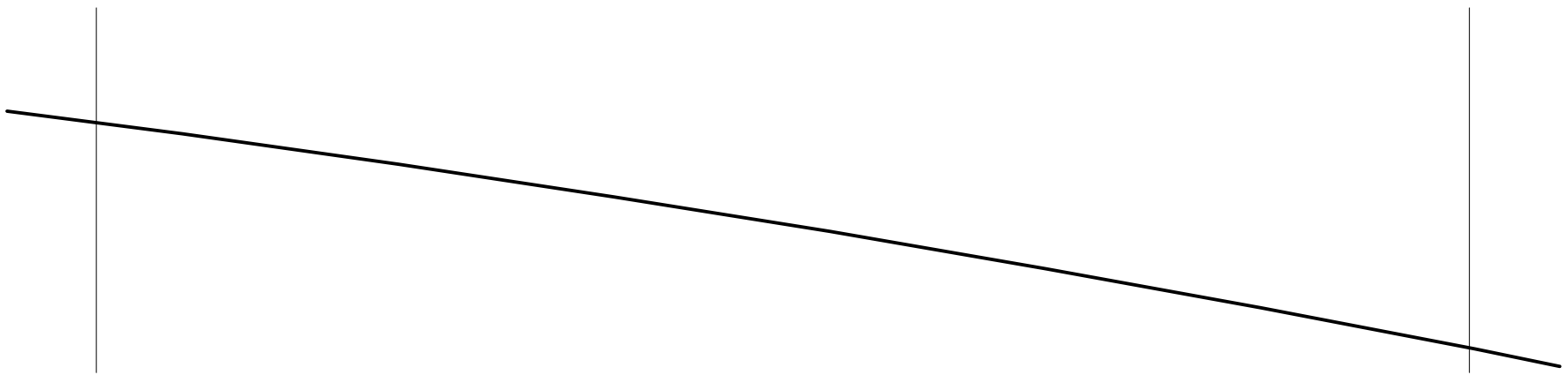


*68" FABRIC  
EDGE PARALLEL  
TO RIDGE*

*F F*

*G G*

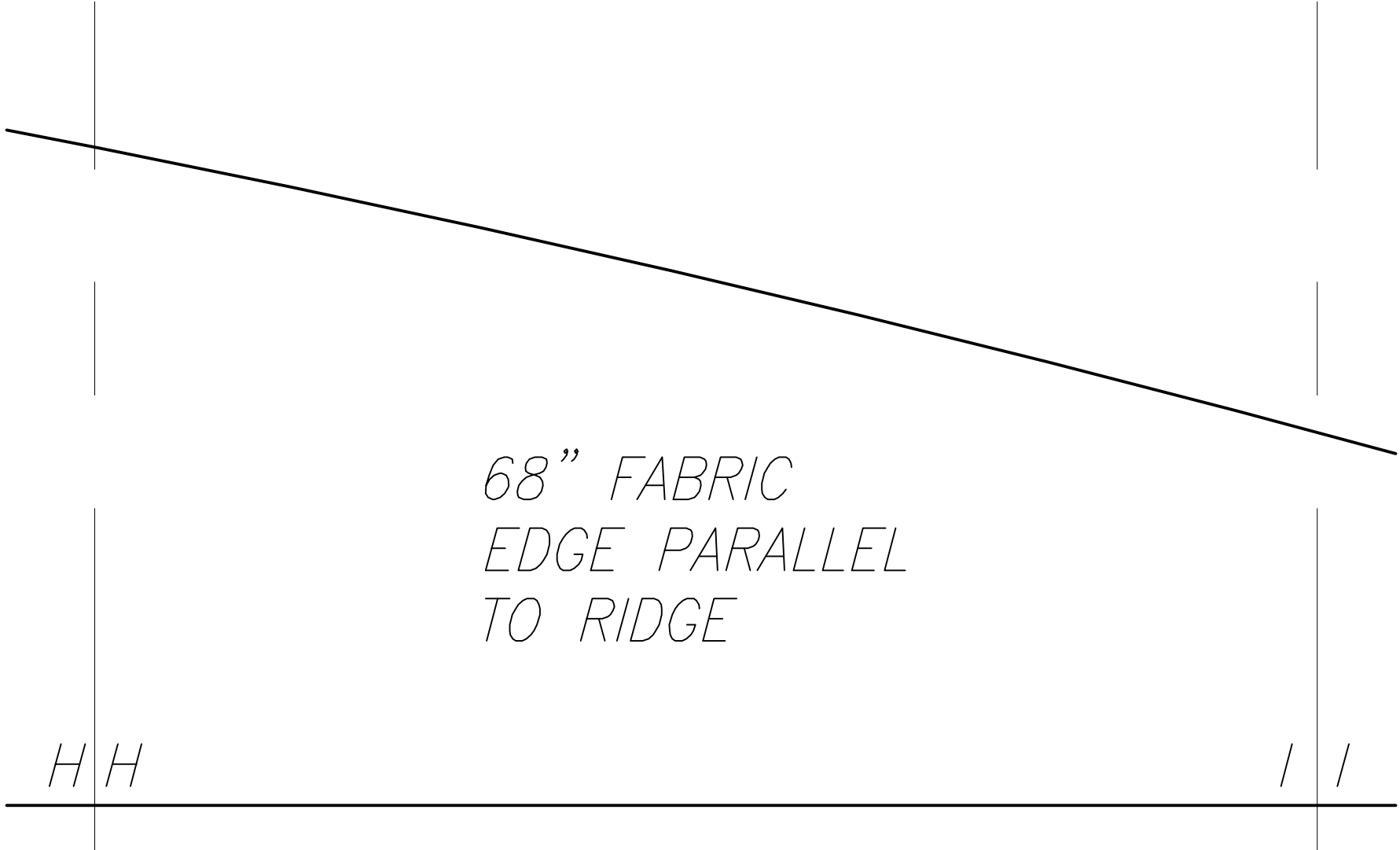




*68" FABRIC  
EDGE PARALLEL  
TO RIDGE*

*G G*

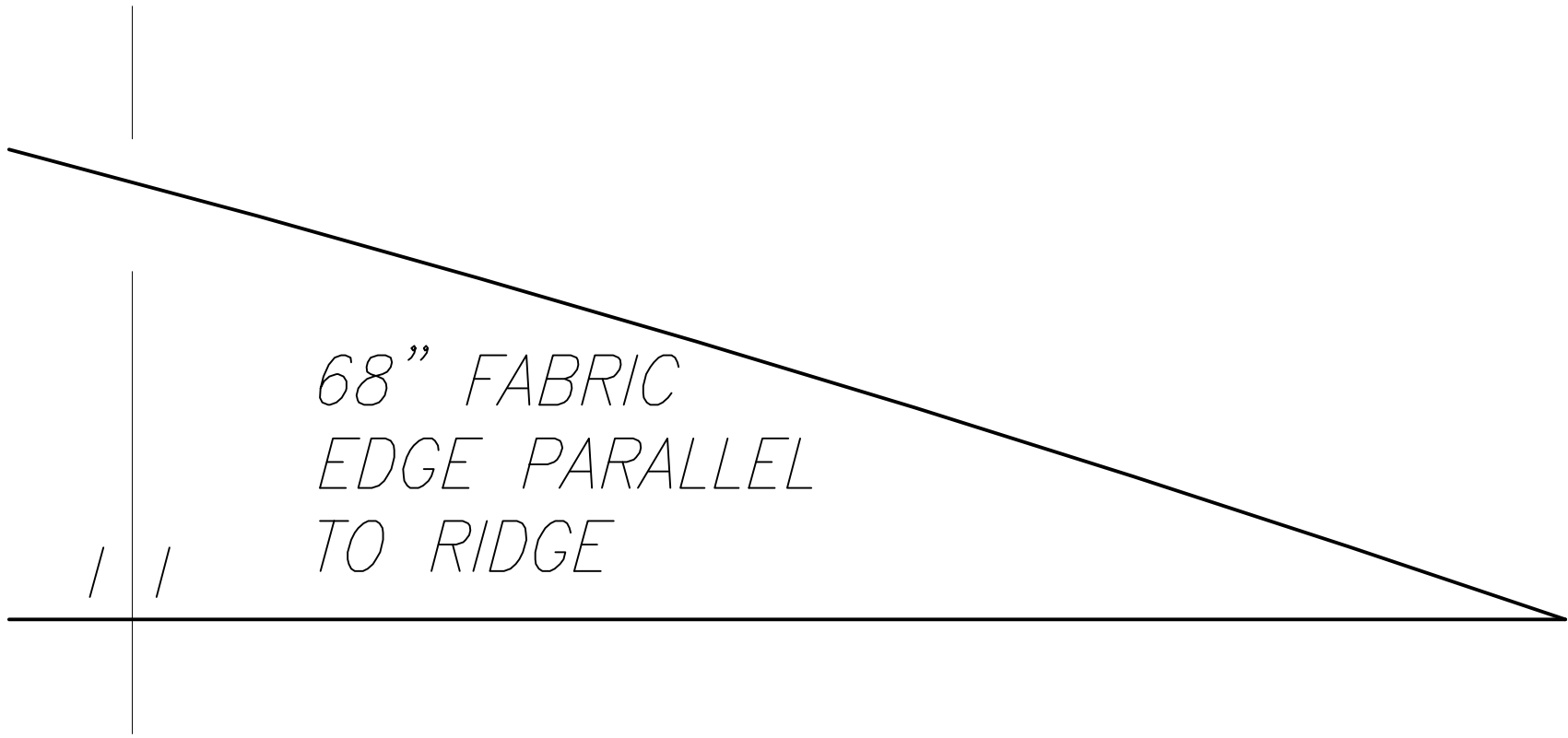
*H H*



*68" FABRIC  
EDGE PARALLEL  
TO RIDGE*

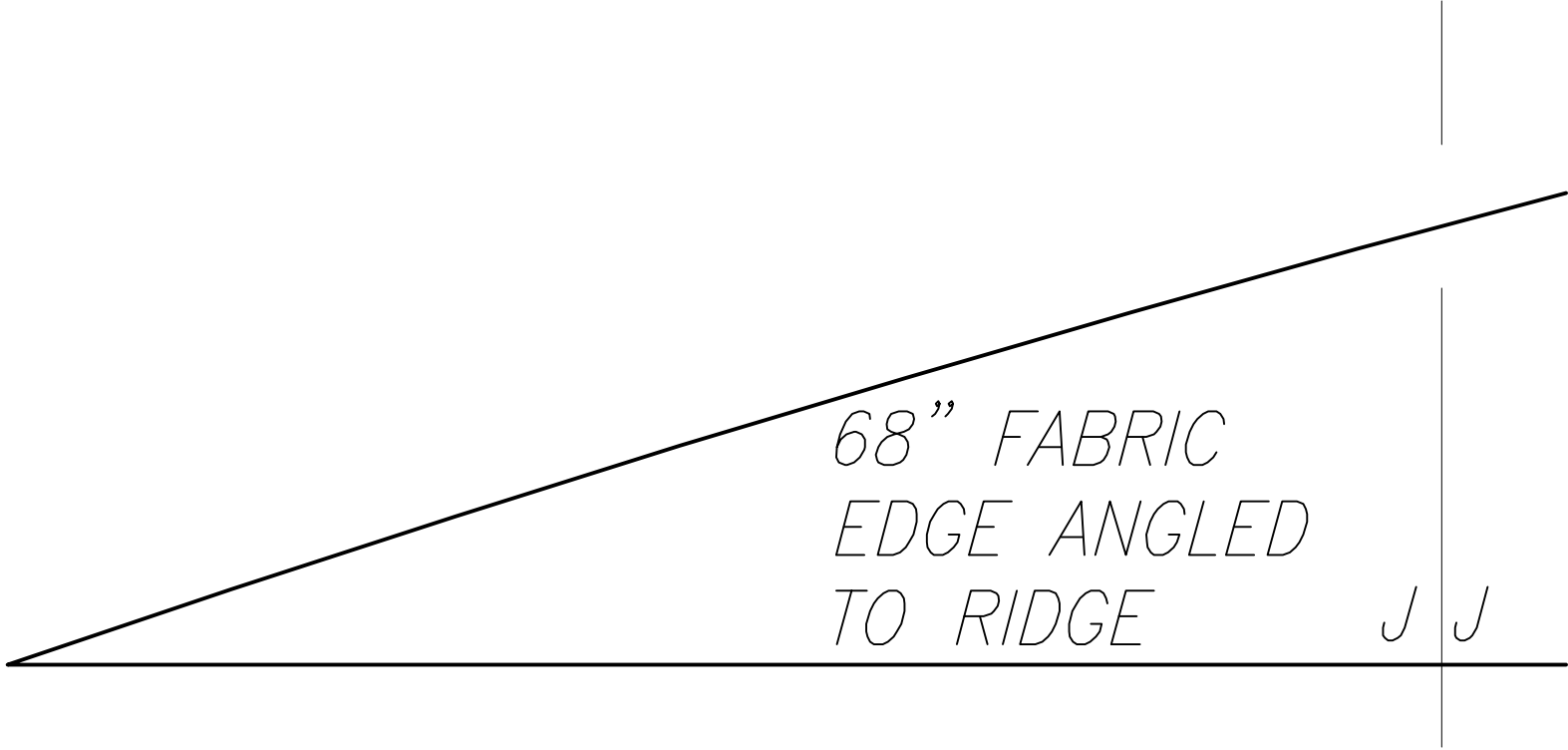
*H H*

*/ /*



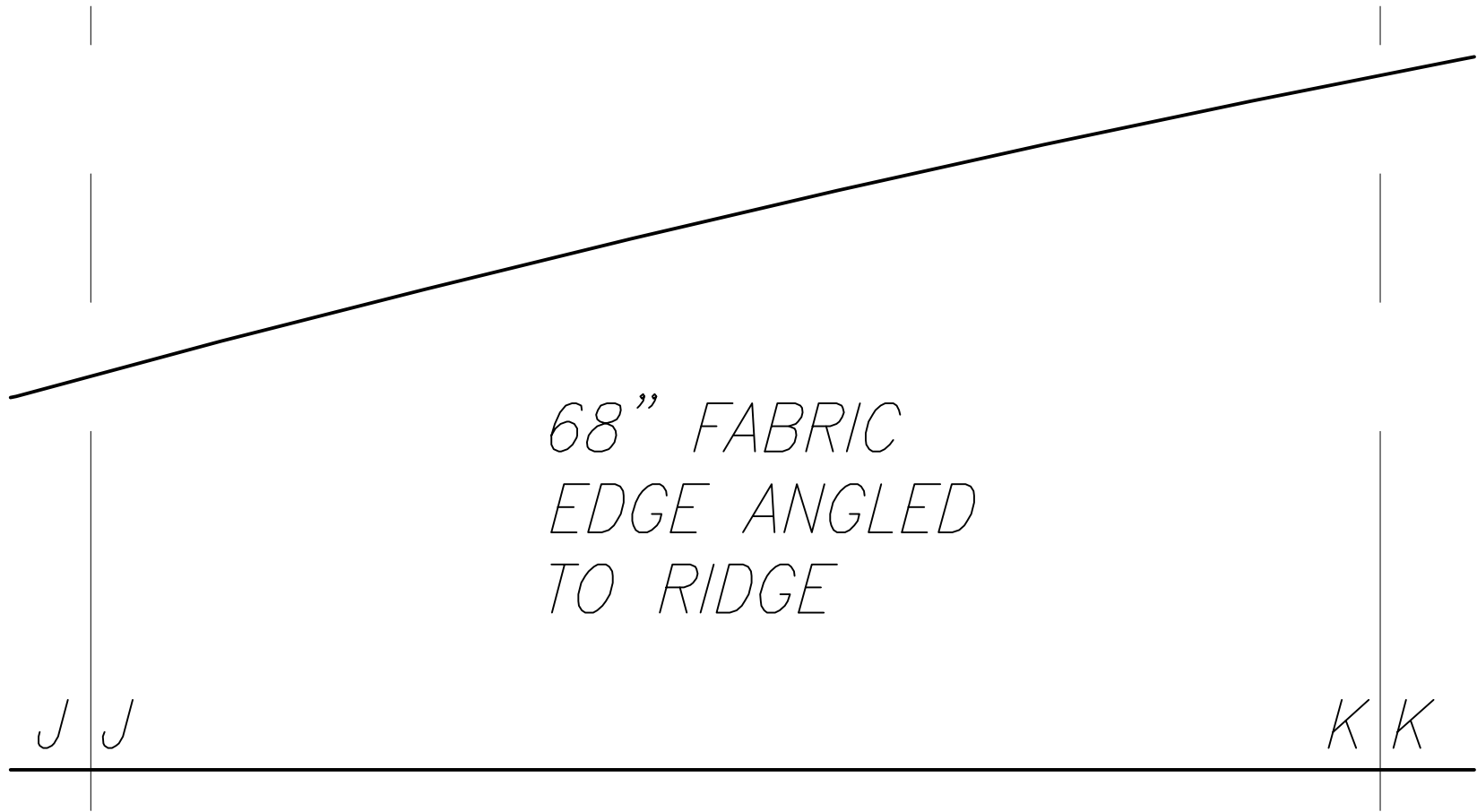
*68" FABRIC  
EDGE PARALLEL  
TO RIDGE*

*/ /*



*68" FABRIC  
EDGE ANGLED  
TO RIDGE*

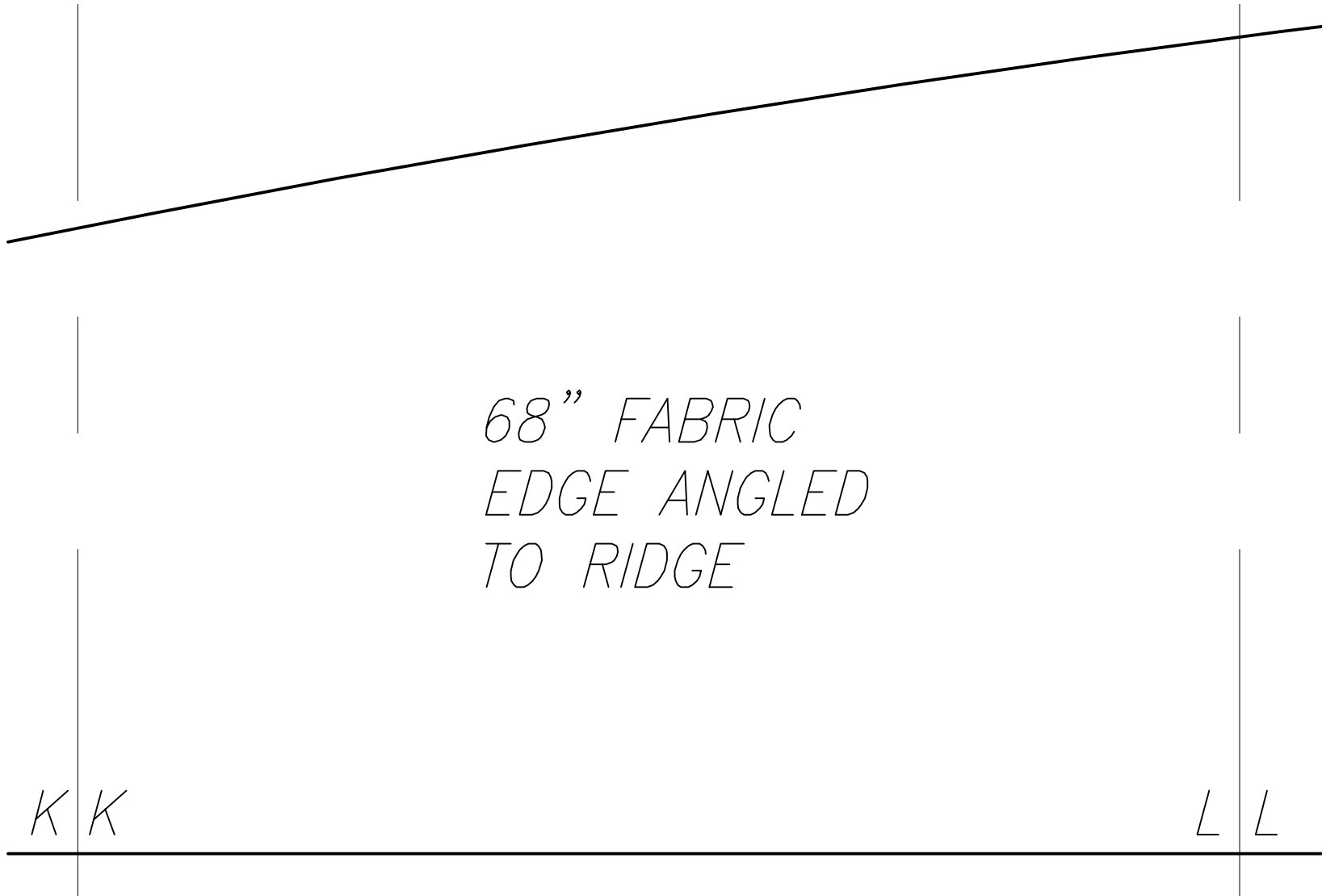
*J J*

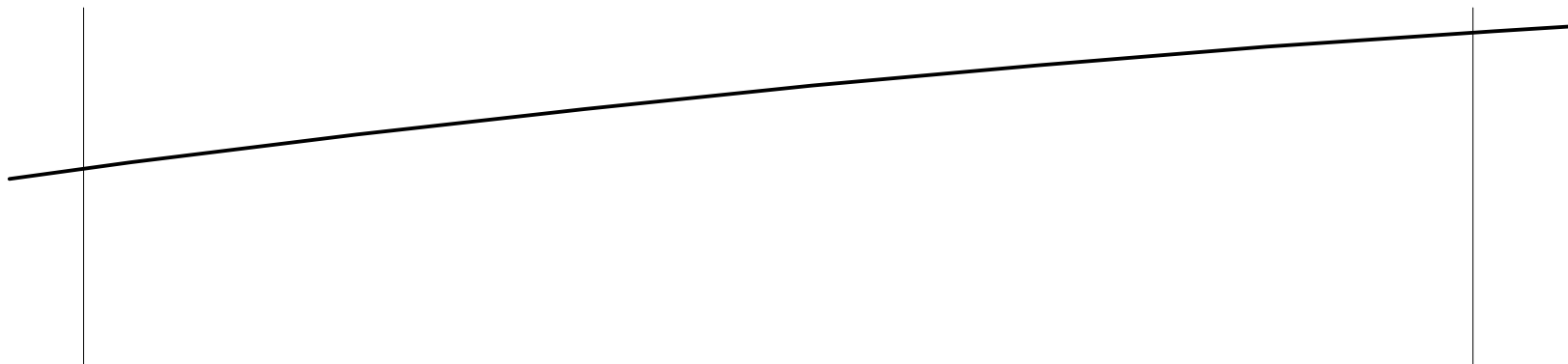


68" FABRIC  
EDGE ANGLED  
TO RIDGE

J J

K K

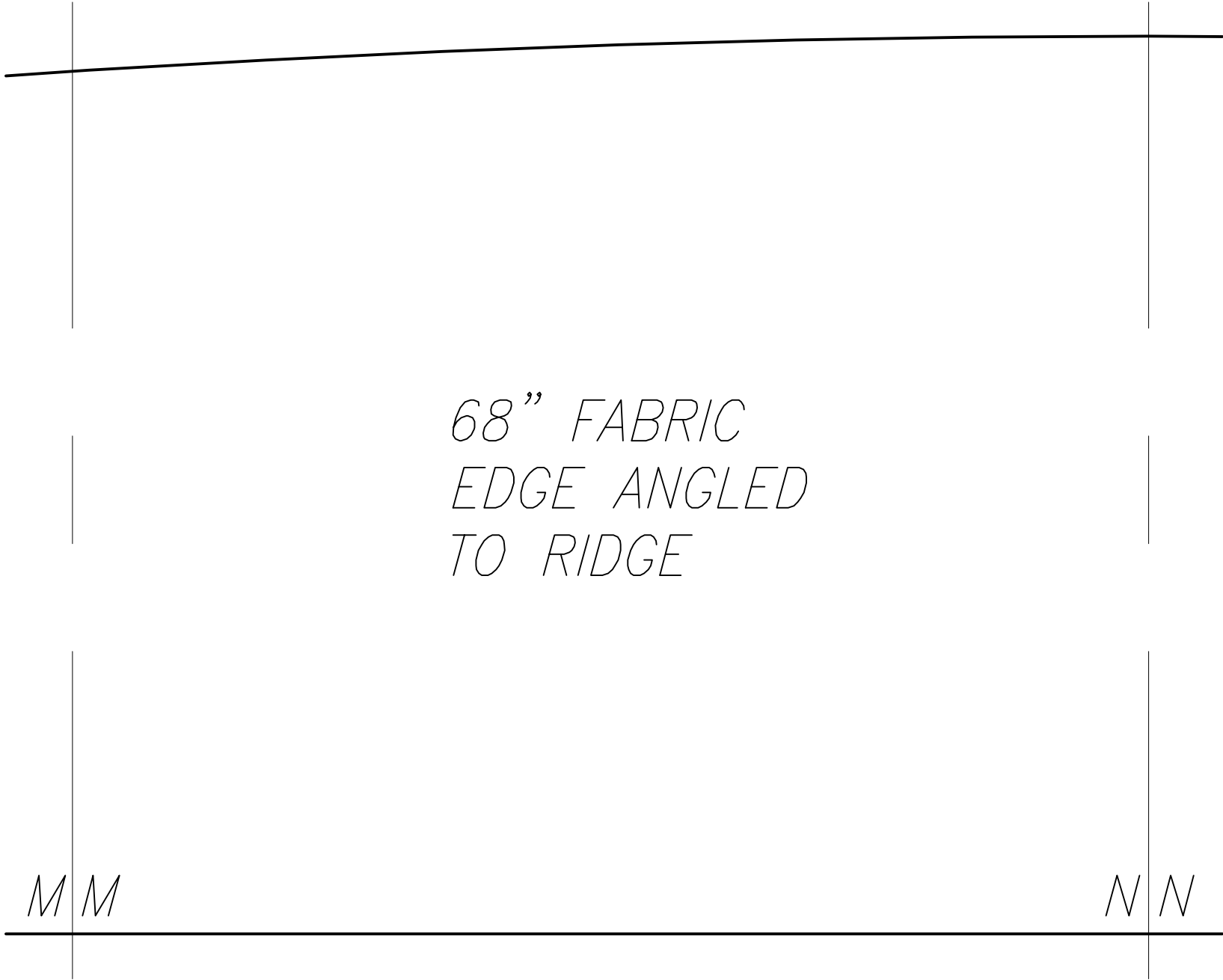




*68" FABRIC  
EDGE ANGLED  
TO RIDGE*

*L L*

*M M*

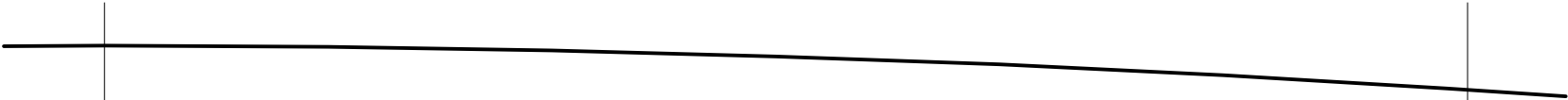


*68" FABRIC  
EDGE ANGLED  
TO RIDGE*

*M M*

*N N*





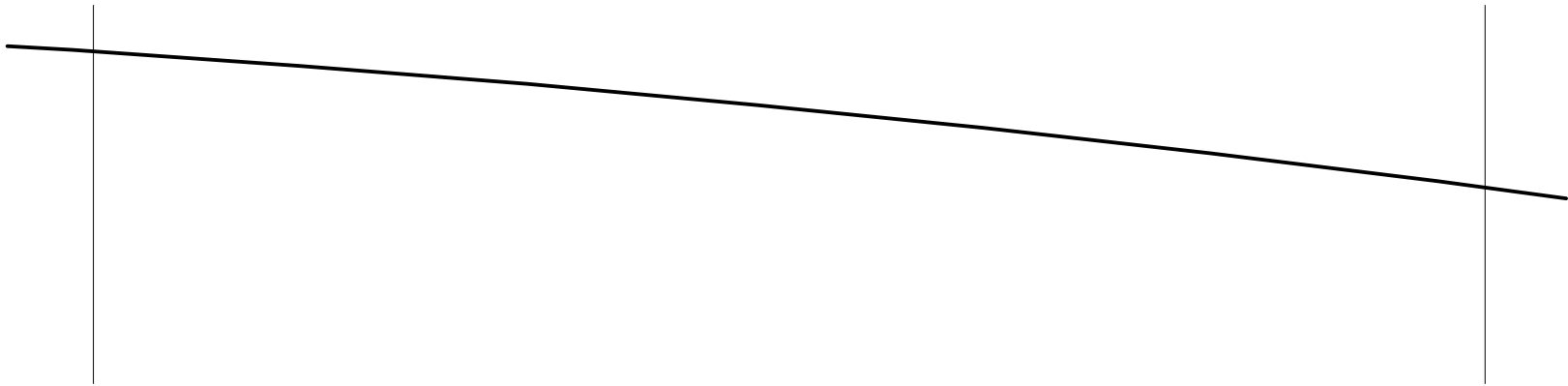
*68" FABRIC  
EDGE ANGLED  
TO RIDGE*



*N N*

*O O*



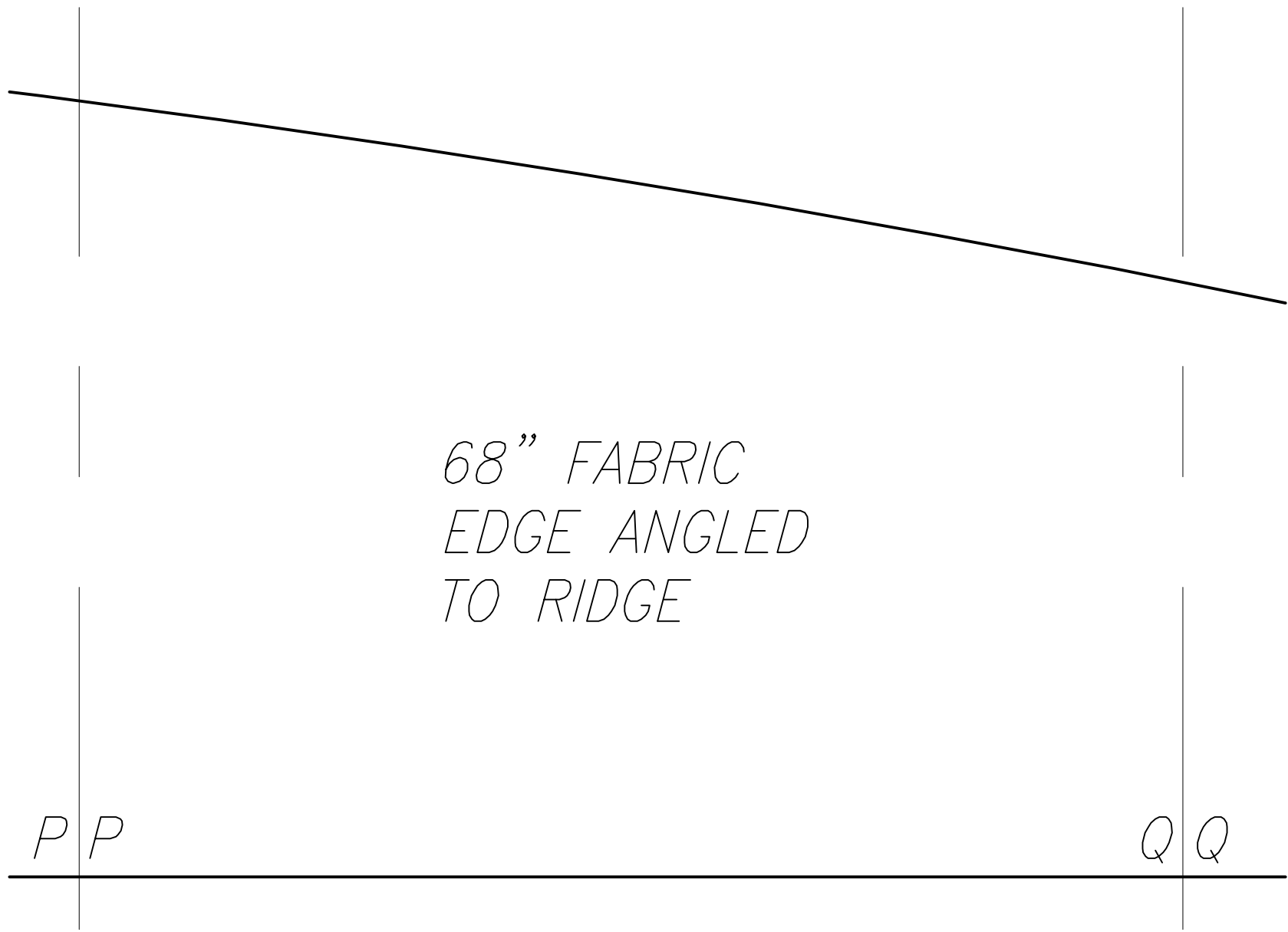


*68" FABRIC  
EDGE ANGLED  
TO RIDGE*



*OO*

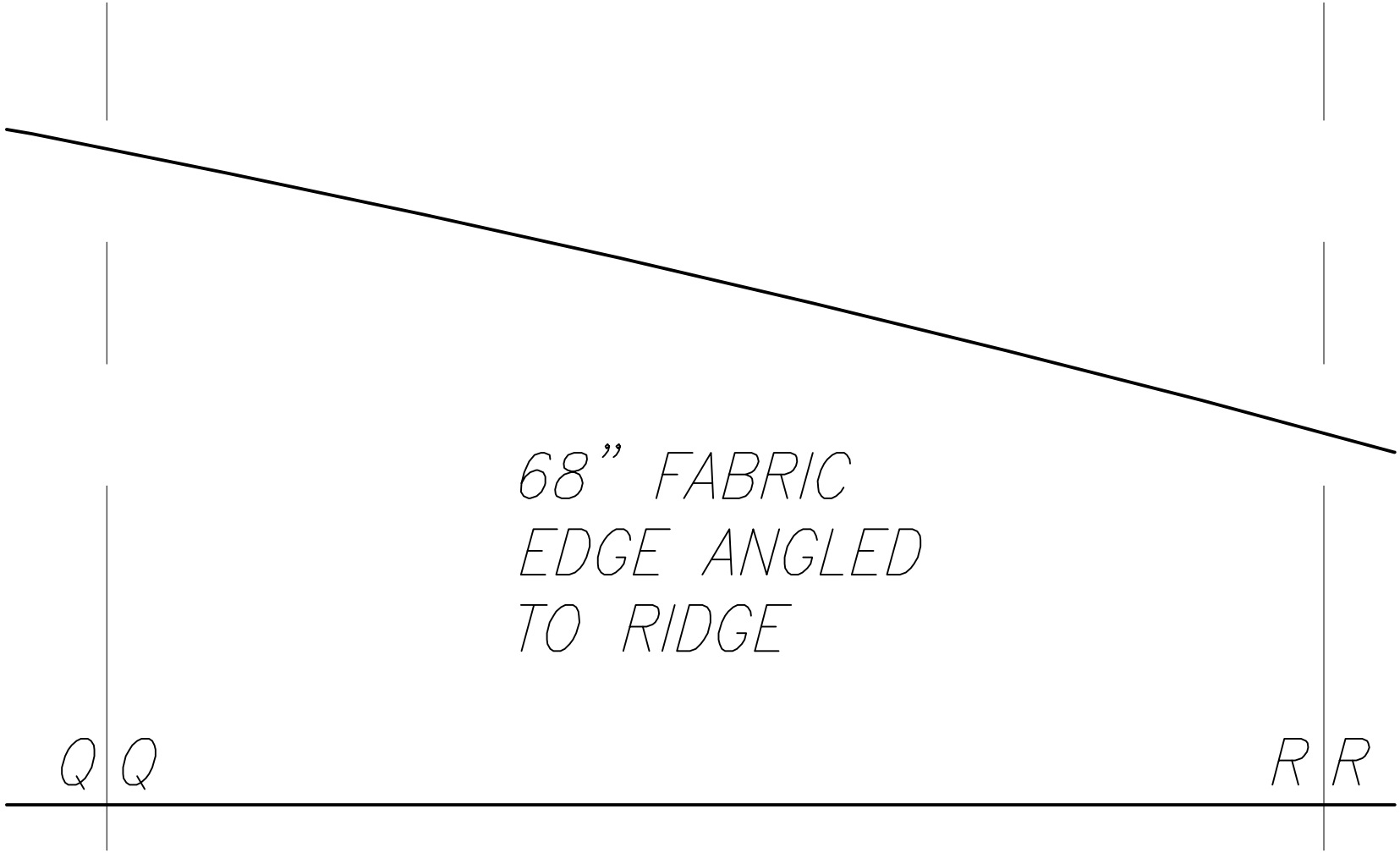
*PP*

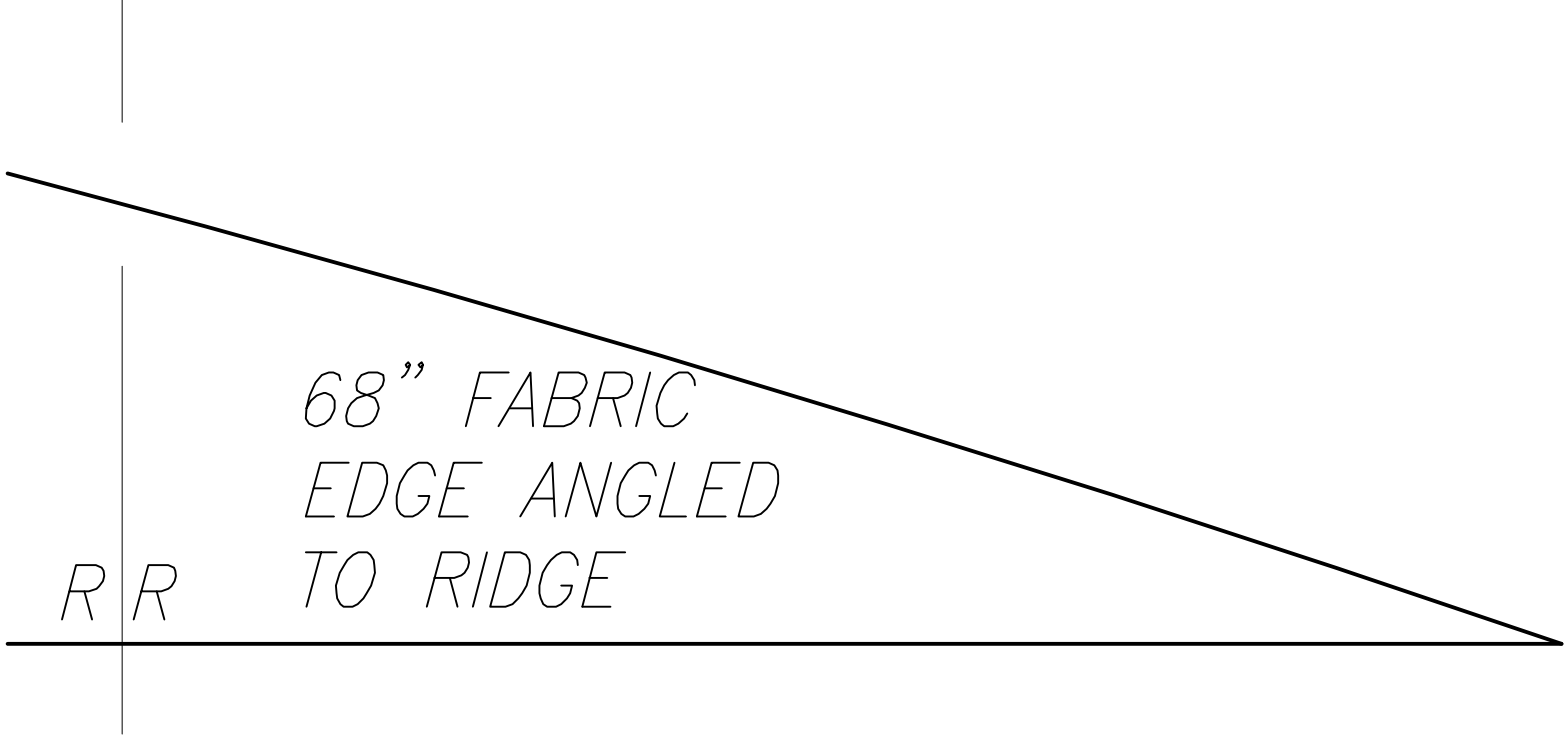


68" FABRIC  
EDGE ANGLED  
TO RIDGE

P P

Q Q





*68" FABRIC  
EDGE ANGLED  
TO RIDGE*

*R R*